

The Overhead Body and Table Wash System is a convenient fixture for the cleaning and rinsing process during embalming.

The system consists of a reel rinse, vacuum breaker, soft spray valve, and a thermostatic mixing valve. The components are to be assembled on site by a licensed master plumber according to applicable codes. It can be mounted to a wall or ceiling.



FEATURES

OVERHEAD REEL RINSE

Stainless steel covered reel base with ratchet lock and easy tension adjustment

Furnished with 35 feet of .375" ID hose, rated at 300 PSI, 140°F water temperature

THERMOSTATIC MIXING VALVE

Maintains desired mixed water temperature at point-of-use

VACUUM BREAKER

Protects the potable water supply against backflow from a non-potable source due to negative pressure

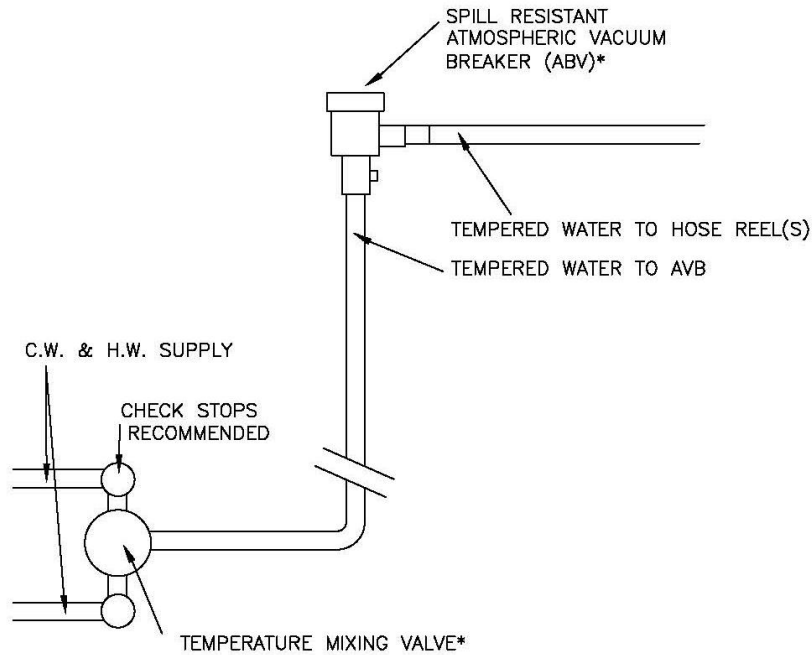
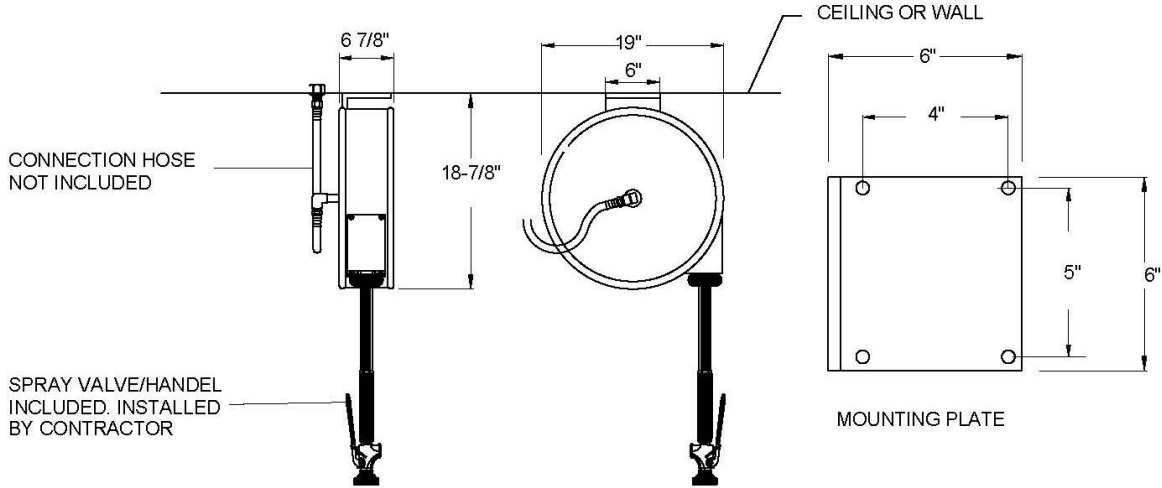
Spring-loaded vent for continuous pressure use

Meets American Society of Sanitary Engineering code 1001

SOFT SPRAY HOSE VALVE

Protects the potable water supply against backflow from a non-potable source due to negative pressure

LOCATE REQUIRED PLUMBING ITEMS PER BEST FIELD CONDITIONS
 PROVIDE BLOCKING AS REQUIRED. WEIGHT APPROXIMATELY 46 POUNDS



* = DST LTD SUPPLIED ITEM

FLUSH LINES PRIOR TO CHARGING DEVICES

DST 448 OVERHEAD BODY & TABLE WASH

v6/2020 CREEL

INSTALLATION

Follow all manufacturer's installation instructions

Inlets and outlets are .5" FNPT