

Todd PrepWash



FEATURES

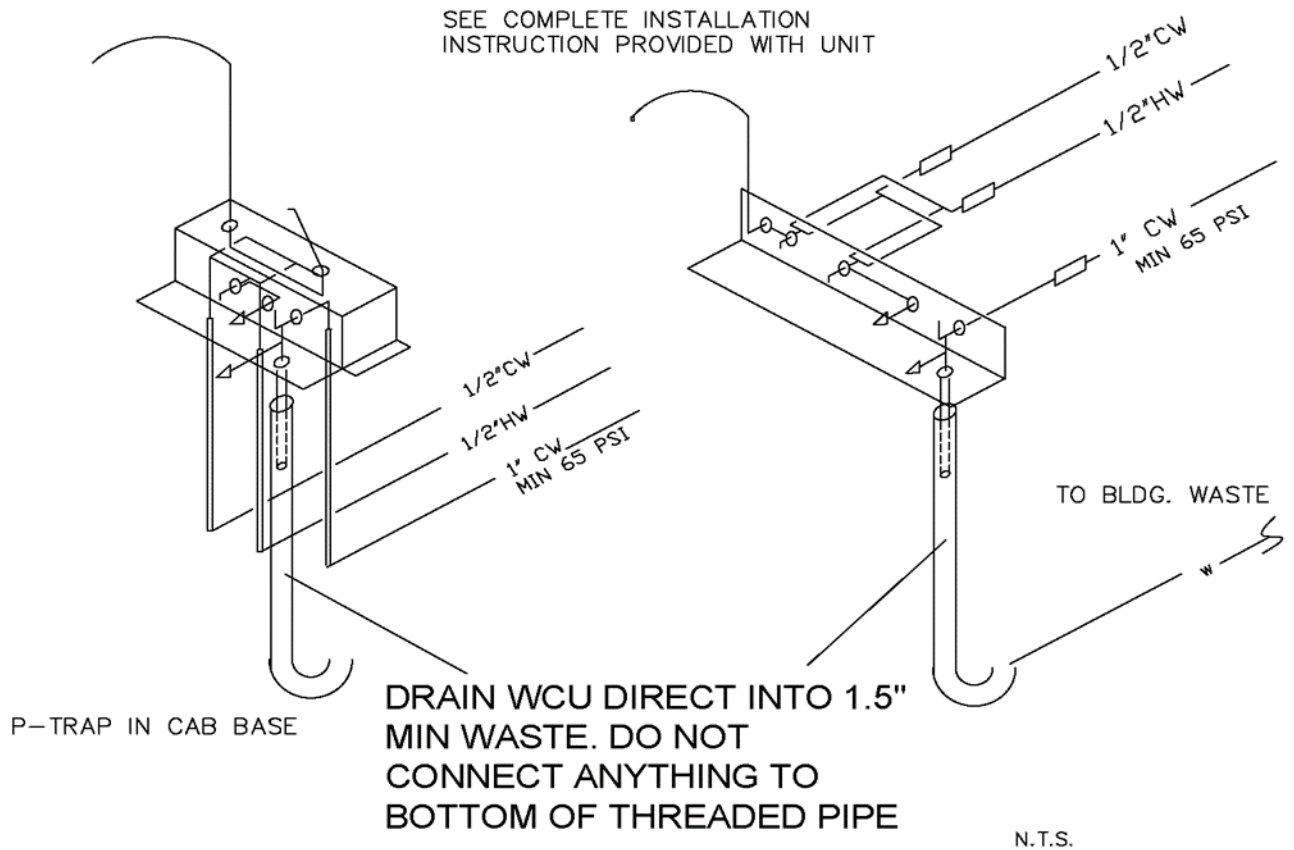
Stainless steel and chrome housing.
Grip handle with contoured spray nozzle.
Detachable 8-foot steel hose and 12-foot clear hose.
Can be installed in preparation room or dressing room.
Constructed of 16-gauge stainless steel.

Specifications

Size	7" x 5" x 7"
Weight	16 lbs
Components	8' Heavy duty stainless steel hose
	Large grip handle with spray nozzle
	12' Clear hose
	1 quick-disconnect

Todd PrepWash Installation

Cold Water Line	1/2"
Hot Water Line	1/2"
Mounting	Designed for countertop mounting. Hardware and template included.
Recommended Adjunct	Todd Morgue Table Receptor 5000, DST 216.
Auxiliary Requirements for Code Compliance	<ul style="list-style-type: none">• Reduced pressure backflow preventers required on hot and cold-water supply• Flush all plumbing lines prior to start-up.



DO NOT CUT FACTORY SUPPLIED THREADED BRASS PIPE — VOIDS WARRANTY. SLEEVE FACTORY PIPE INTO 1½\" BUILDING WASTE

DRAIN DIRECT INTO 1.5\" MIN WASTE LINE FROM SUPPLIED THREADED PIPE DO NOT THREAD ANYTHING ONTO THE PIPE

IMPORTANT NOTICE REGARDING WATER CONTROL UNIT WASTE LINE CONFIGURATION

DUNCAN STUART TODD LTD

V1-18-16