

SPEAKMAN® SE-238

Ceiling Mounted Emergency Shower

FEATURES:

- 8 in. stainless steel showerhead with extended supply pipe
- Vertical supply
- Internal 20 gpm regulator flow control
- 1 in. NPT female brass, chrome-plated, stay-open valve
- 18 gauge (0.048 thick) stainless steel cabinet
- 1 in. IPS chrome plated brass pipe
- Wall mounted stainless steel lever activator with black plastic rotating handle
- 20 gpm @ 30 psi
- Universal Emergency Sign Included

FINISHES:



Stainless Steel & Polished Chrome

COMPLIANCE:

- ANSI/ISEA Z358.1 certified

OPTIONS:

Add suffix to model #

- Anti-freeze protection valve -FPV
- Anti-scald protection valve -SPV
- 1 in. IPS stainless steel ball valve -SSBV1

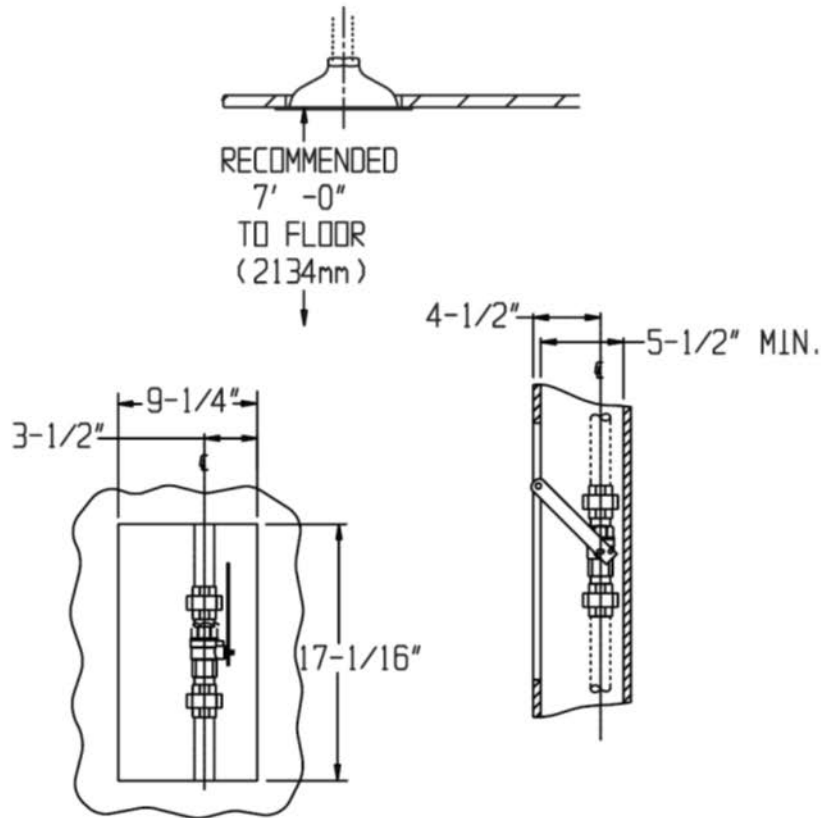
WARRANTY:

- 3 year limited

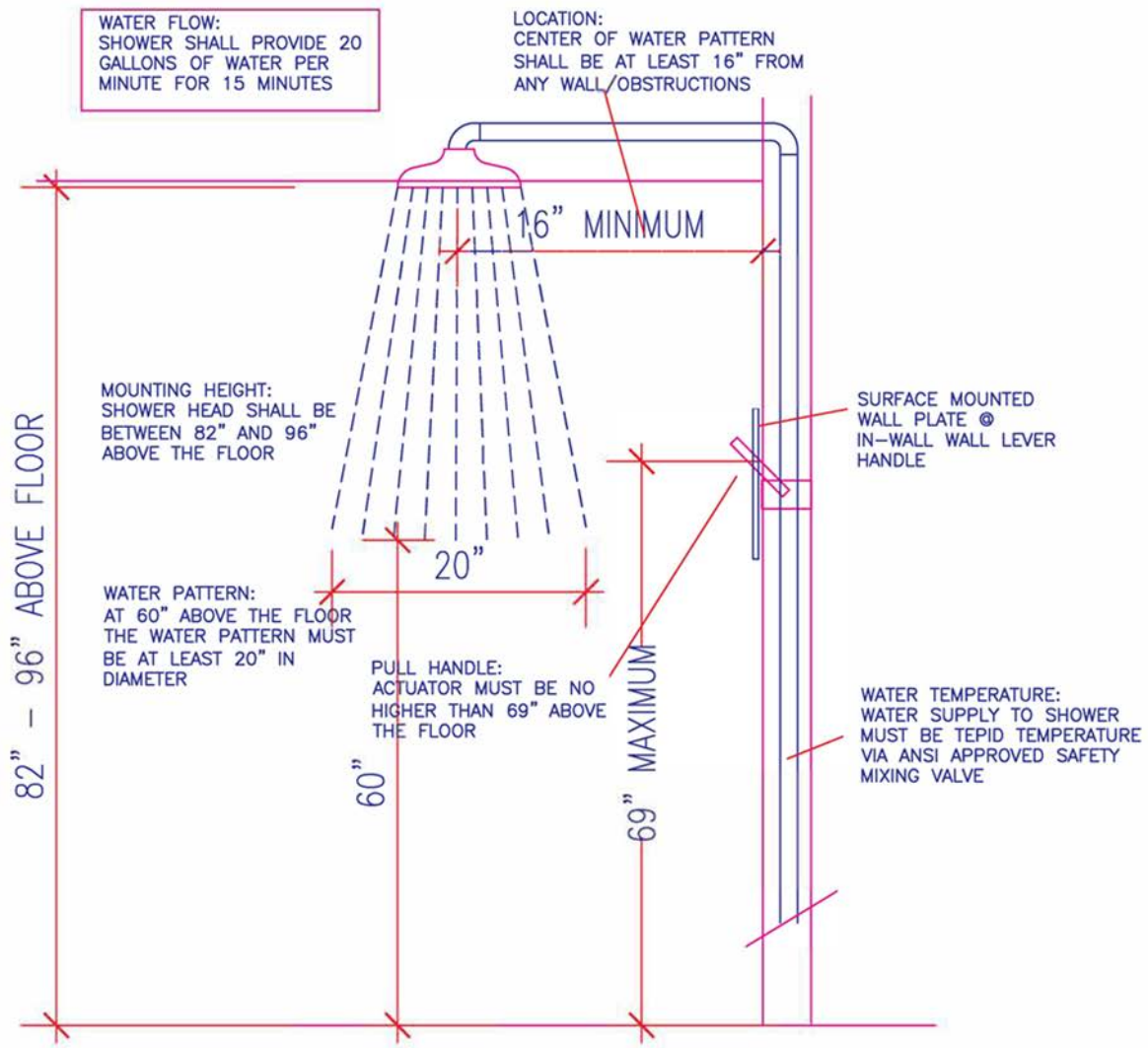


SPEAKMAN®

DIMENSIONS: NOTE 1: All dimensions are in inches (millimeters) unless otherwise specified and are subject to change without notice.



EMERGENCY SHOWER CHECKLIST



LOCATION:
SHOWER MUST BE INSTALLED ON SAME LEVEL AS HAZARD AND WITHIN 10 SECONDS OF HAZARD

TRAINING:
INSTRUCT ALL EMPLOYEES IN LOCATION AND PROPER USE OF SHOWER

IDENTIFICATION:
IDENTIFY SHOWER WITH HIGHLY VISIBLE SIGN

MAINTENANCE:
ACTIVATE AT LEAST WEEKLY AND INSPECT ANNUALLY

THIS IS A PARTIAL LISTING OF ANSI Z358.1-1-2004 SAFETY SHOWER PROVISIONS. PLEASE REFER TO THE STANDARD FOR A COMPLETE LISTING OF ALL PROVISIONS.