

## **SPEAKMAN® SE-237**

### Ceiling Mounted Emergency Shower

#### **FEATURES:**

- 10 in. flush mounted, stainless steel flanged showerhead
- Horizontal supply
- Internal 20 gpm regulator flow control
- 1 in. NPT female brass, chrome-plated, stay-open valve
- 18 gauge (0.048 thick) stainless steel cabinet
- Wall mounted stainless steel lever activator with black plastic rotating handle
- 20 gpm @ 30 psi
- Universal Emergency Sign Included

#### **FINISHES:**



Stainless Steel

#### **COMPLIANCE:**

- Certified to ANSI/ISEA Z358.1

#### **OPTIONS:**

Add suffix to model #

- Anti-freeze protection valve  -FPV
- Anti-scald protection valve  -SPV
- 1 in. IPS stainless steel ball valve  -SSBV1

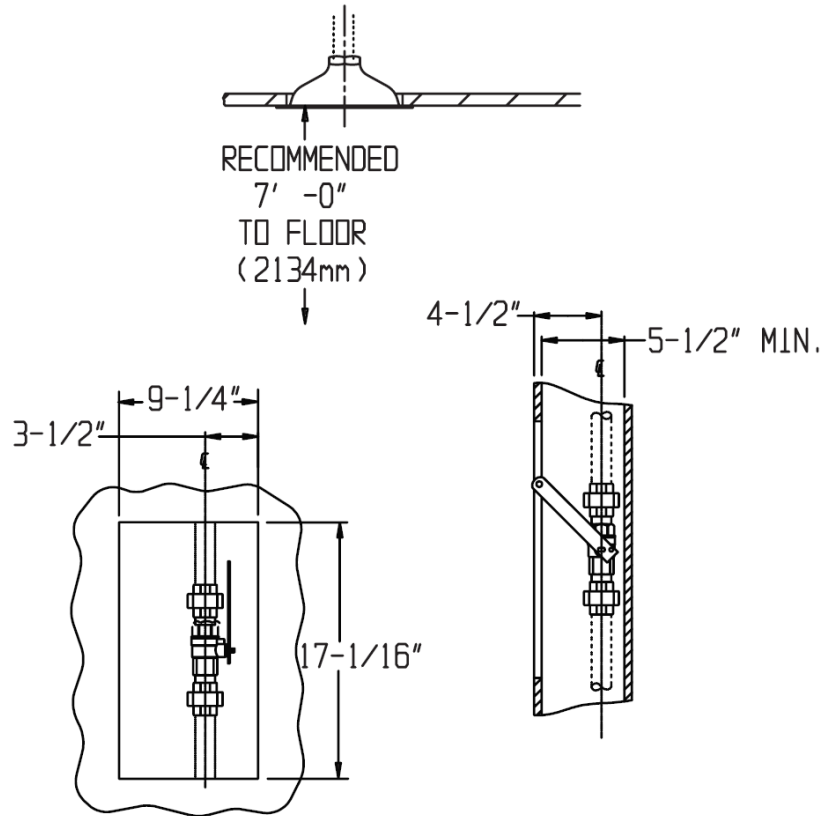
#### **WARRANTY:**

- 3 year limited

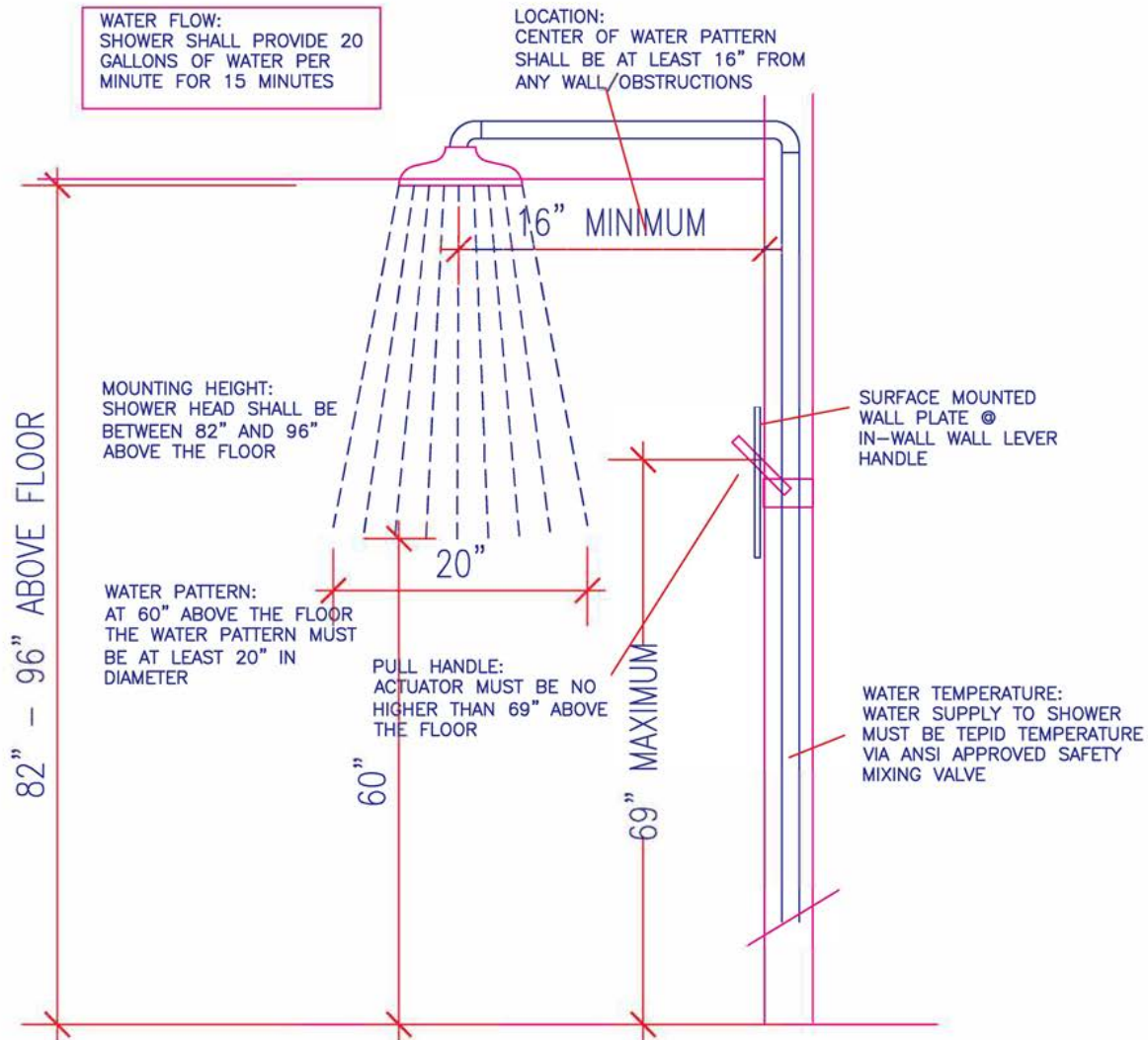


**SPEAKMAN®**

**DIMENSIONS:** NOTE: 1. All dimensions are in inches (millimeters) unless otherwise specified and are subject to change without notice.



### EMERGENCY SHOWER CHECKLIST



**LOCATION:**  
SHOWER MUST BE INSTALLED ON SAME LEVEL AS HAZARD AND WITHIN 10 SECONDS OF HAZARD

**TRAINING:**  
INSTRUCT ALL EMPLOYEES IN LOCATION AND PROPER USE OF SHOWER

**IDENTIFICATION:**  
IDENTIFY SHOWER WITH HIGHLY VISIBLE SIGN

**MAINTENANCE:**  
ACTIVATE AT LEAST WEEKLY AND INSPECT ANNUALLY

THIS IS A PARTIAL LISTING OF ANSI Z358.1-1-2004 SAFETY SHOWER PROVISIONS. PLEASE REFER TO THE STANDARD FOR A COMPLETE LISTING OF ALL PROVISIONS.