



18F and 18W UTILATUB® Laundry/Utility Tubs — Premier

SEE PAGE 2 FOR A LIST OF ACCESSORIES!



Design features:

- High strength, one piece molded construction
- Produced with Mustee's proprietary DURASTONE® — combination of fiberglass and crushed stone blended with special resins for extra strength and durability.
- 18 Gallon capacity, extra deep 13" tub with smooth surface
- Leakproof, integrally molded-in drain with stopper
- Connects to standard 1-1/2" P or S trap
- Accommodates single or dual-handle faucet with 4" or 8" center
- Large, self-draining back shelf with retainer curb that prohibits water run-off except into tub.
- Floor model includes heavy gauge steel legs with adjustable levelers
- Wall model includes wall mounting bracket, side supports and mounting hardware for securing tub to concrete or stud wall
- Mold and mildew-resistant components
- Easy to assemble and install
- Color-fast, marbled white finish

Code Accepted:

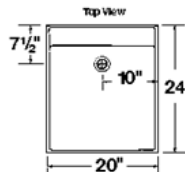
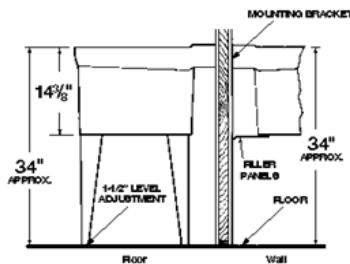
UTILATUB® and UTILATWIN® Laundry/Utility Tubs meet or exceed performance requirements as listed:

- International Association of Plumbing and Mechanical Officials (IAPMO)® Listed
- Warnock Hersey® (Canada) Listed—CSA test standards: Laundry Tray - #B45.0 and #B45.5; Drain - #B125
- American National Standards Institute (ANSI)—Specification Z 124-2011



Specifications

Colors & Models:	Model	Mounting	H x W x D	UPC
White	18F	Floor	34" x 20" x 24"	6 71031 00026 2
White	18W	Wall	34" x 20" x 24"	6 71031 00027 9



General: Furnish and install as shown on plans, UTILATUB® Laundry/Utility Tub model____(18F, 18W), as manufactured by E.L. Mustee & Sons, Inc. Tub shall be one-piece molded construction using DURASTONE®, a blend of natural crushed stone and polyester resins molded with matched metal molds under extreme heat and pressure. Tub to include integrally molded drain assembly for connection to standard 1-1/2" P or S-trap, stopper and wall mounting hardware or heavy gauge steel legs with built-in levelers. 18 gallon capacity tub, 13" deep. Shall meet ANSI Z 124-2011. Color: White. Weight: 18F 32 lbs.; 18W 28 lbs.



E.L. Mustee & Sons, Inc. • 5431 West 164th Street • Brook Park, OH 44142 • Phone: 216.267.3100 • Fax: 216.267.9997
E-mail: info@mustee.com • Web: www.mustee.com • Proudly made in the USA

Notice: Our continuous commitment to product improvement may result in changes to product specifications without notice. Patents pending. Made and Printed in U.S.A.



T&S BRASS AND BRONZE WORKS, INC.
 2 Saddleback Cove / P.O. Box 1088
 Travelers Rest, SC 29690

Model No.

060X

Item No.

Travelers Rest, SC: 800-476-4103 • Simi Valley, CA: 800-423-0150 • Fax: 864-834-3518 • www.tsbrass.com

This Space for Architect/Engineer Approval

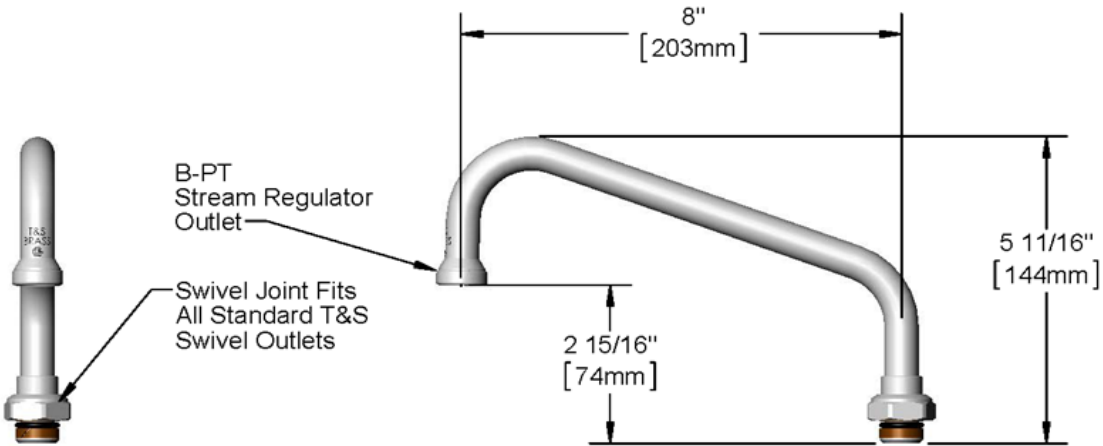
Job Name _____ Date _____

Model Specified _____ Quantity _____

Customer/Wholesaler _____

Contractor _____

Architect/Engineer _____



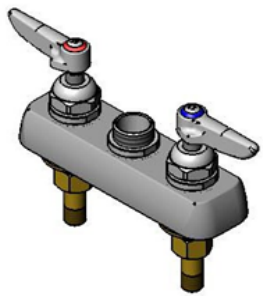
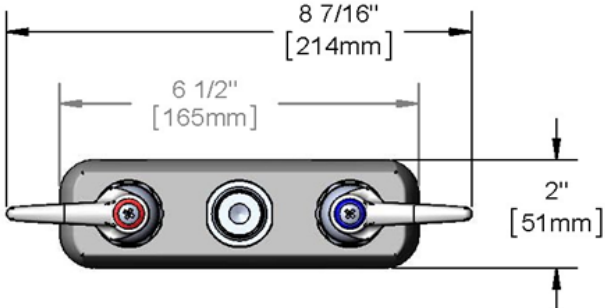
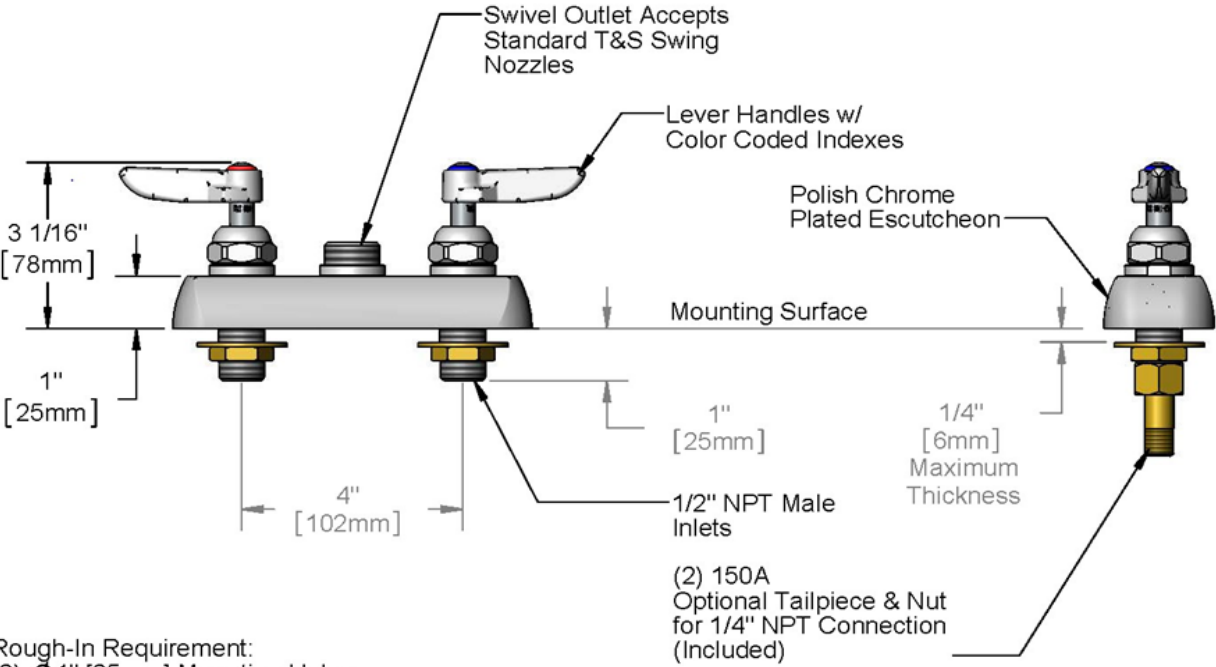


Product Specifications:

8" Swing Nozzle w/ B-PT Stream Regulator

Drawn	Checked	Approved
KJG	JRM	JHB
Scale:		Date:
1:3		05/30/12

Sheet: 1 of 1

	T&S BRASS AND BRONZE WORKS, INC. 2 Saddleback Cove / P.O. Box 1088 Travelers Rest, SC 29690	Model No. <p style="text-align: center; font-weight: bold;">B-1110-LN</p> Item No.
Travelers Rest, SC: 800-476-4103 • Simi Valley, CA: 800-423-0150 • Fax: 864-834-3518 • www.tsbrass.com		
This Space for Architect/Engineer Approval Job Name _____ Date _____ Model Specified _____ Quantity _____ Customer/Wholesaler _____ Contractor _____ Architect/Engineer _____	 ADA Compliant	
		
		
Rough-In Requirement: (2) \varnothing 1" [25mm] Mounting Holes		
Product Specifications: 4" Deck Mount Workboard Faucet, Lever Handles & 1/2" NPT Male Inlets, Less Nozzle	Product Compliance: ASME A 112.18.1 / CSA B125.1 NSF 61 - Section 9 NSF 372 (Low Lead Content) ANSI A117.1 (ADA)	
Drawn: DHL Checked: JRM Approved: JHB Date: 04/11/14 Scale: 1:2 Sheet: 1 of 2		



T&S BRASS AND BRONZE WORKS, INC.

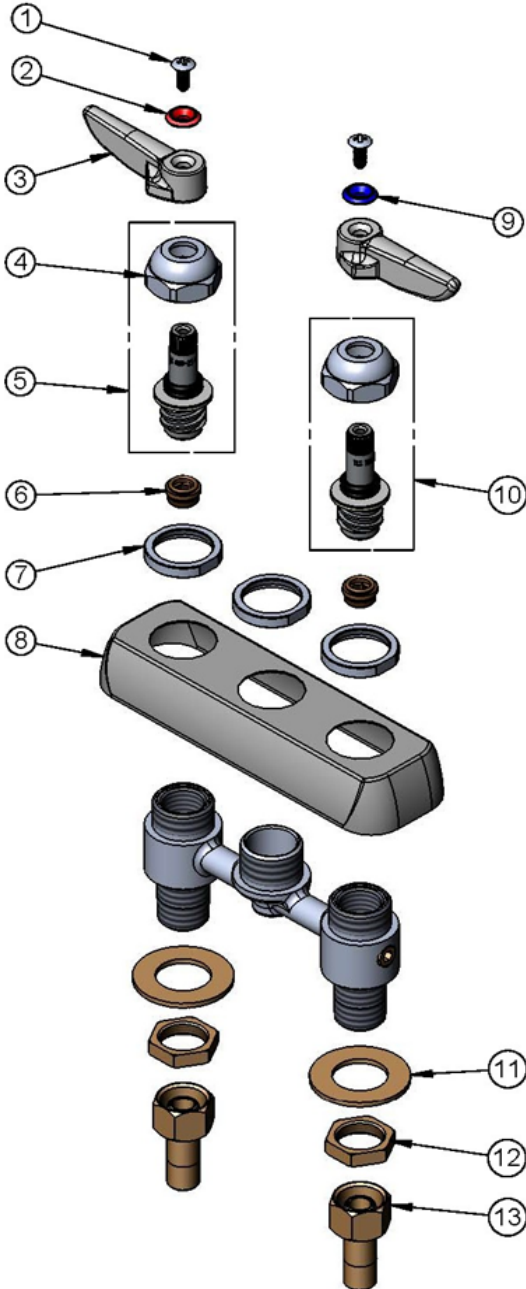
2 Saddleback Cove / P.O. Box 1088
Travelers Rest, SC 29690

Model No.

B-1110-LN

Item No.

Travelers Rest, SC: 800-476-4103 • Simi Valley, CA: 800-423-0150 • Fax: 864-834-3518 • www.tsbrass.com



ITEM NO.	SALES NO.	DESCRIPTION
1	000922-45	Lever Handle Screw
2	001661-45	Red Index - HW
3	001638-45	Lever Handle
4	009749-25	Bonnet Nut
5	009753-25	B-1100 Spindle, RTC
6	000763-20	Seat
7	000712-25	Escutcheon Lock Nut
8	001258-40	Escutcheon
9	001660-45	Blue Index - CW
10	009754-25	B-1100 Spindle, LTC
11	000999-45	Brass Lock Washer
12	002954-45	Shank Lock Nut
13	150A	1/4" NPT Tailpiece & Nut

Product Specifications:
4" Deck Mount Workboard Faucet, Lever Handles & 1/2" NPT Male Inlets, Less Nozzle

Product Compliance:
ASME A112.18.1 / CSA B125.1
NSF 61 - Section 9
NSF 372 (Low Lead Content)
ANSI A117.1 (ADA)

Drawn: DHL | Checked: JRM | Approved: JHB | Date: 04/11/14 | Scale: NTS | Sheet: 2 of 2