

ELKAY[®] SPECIFICATIONS

Elkay Celebrity Stainless Steel 19" x 18" x 7-1/8" Single Bowl Top Mount Sink Model(s) PSR1918

PRODUCT SPECIFICATIONS

Elkay Celebrity Stainless Steel 19" x 18" x 7-1/8", Single Bowl Top Mount Sink. Sink is manufactured from 20 gauge 304 Stainless Steel with a Brilliant Satin finish, Center drain placement, and Bottom only pads.

Installation Type:	Top Mount
Material:	304 Stainless Steel
Finish:	Brilliant Satin
Gauge:	20
Sound Deadening:	Bottom only pads
Number of Bowls:	1
Sink Dimensions:	19" x 18" x 7-1/8"
Bowl 1 Dimensions:	16" x 11-1/2" x 7"
Drain Size:	3-1/2" (89mm)
Drain Location:	Center
Minimum Cabinet Size:	24"
Mounting Hardware:	Part # 64090012 included for countertops up to 3/4" (19mm) thick
Cutout Template #:	1000001260

Template is available for download at elkay.com

Cutout Dimensions for Top Mount Installation:

18-3/8" x 17-3/8" (467mm x 441mm) with 1-1/2" (38mm) corner radius



AMERICAN PRIDE. A LIFETIME TRADITION. Like your family, the Elkay family has values and traditions that endure. For almost a century, Elkay has been a family-owned and operated company, providing thousands of jobs that support our families and communities.



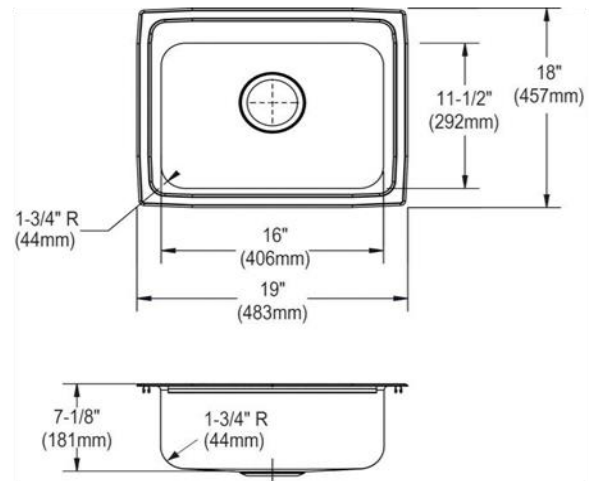
Product Compliance: ASME A112.19.3/CSA B45.4
BUY AMERICAN ACT



Sinks are listed by IAPMO[®] as meeting the applicable requirements of the Uniform Plumbing Code[®], International Plumbing Code[®], and National Plumbing Code of Canada.

[Clean and Care Manual \(PDF\)](#)
[Installation Instructions \(PDF\)](#)
[Limited Lifetime Warranty \(PDF\)](#)

Similar models are available with: N/A

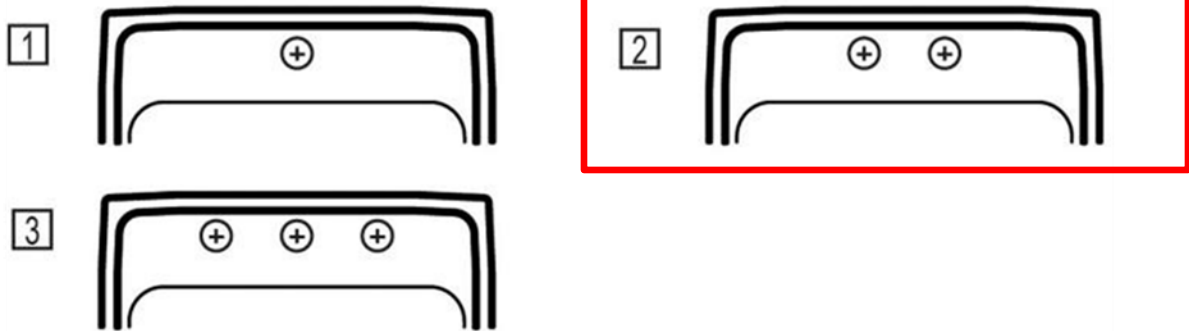


PART: _____ QTY: _____
PROJECT: _____
CONTACT: _____
DATE: _____
NOTES: _____
APPROVAL: _____

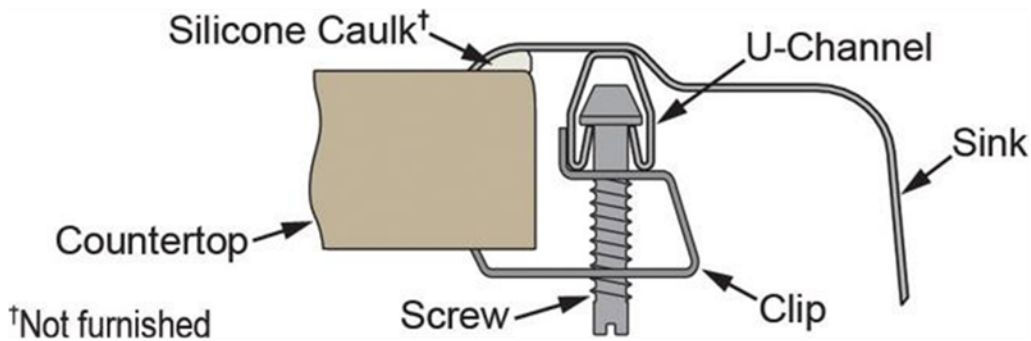
In keeping with our policy of continuing product improvement, Elkay reserves the right to change product specifications without notice. Please visit elkay.com for the most current version of Elkay product specification sheets. This specification describes an Elkay product with design, quality, and functional benefits to the user. When making a comparison of other producers' offerings, be certain these features are not overlooked.

Hole Drilling Configurations:

1-1/2" (38mm) Diameter Faucet Holes on 4" (102mm) Centers



Installation Profile:



OPTIONAL ACCESSORIES

Bottom Grid:	LKWBG1116SS
Drain:	LK99
Faucet:	LKGT1041, LKGT2041
Hardware:	LK364, LK463
Rinsing Basket:	LKWRB1116SS
Sinkmate:	LKSMHSL
Soap Dispenser:	LKGT1054

SEF-1000-CA

Eyesaver® Retrofit Faucet with Integrated Eyewash

EYEWASH FEATURES:

- Pull handle activator
- Aerated yellow plastic spray outlets with flip-top dust caps
- 2.8 gpm/10.6L/min @ 30 psi flow rate.
- ½ NPT male inlet

FAUCET FEATURES:

- Lead-free brass construction
- 3/8 in. male compression connections for hot & cold inlets
- Gooseneck faucet with independently operated eyewash
- 2.2 gpm (8.3 L/min) flow rate

COMPLIANCE:

- ANSI/ISEA Z358.1 certified
- ASME A112.18.1/CSA B125 certified
- NSF 61 compliant (excludes ST & FP options)
- NSF 372 compliant (excludes ST & FP options)

OPTIONS: Add suffix to model

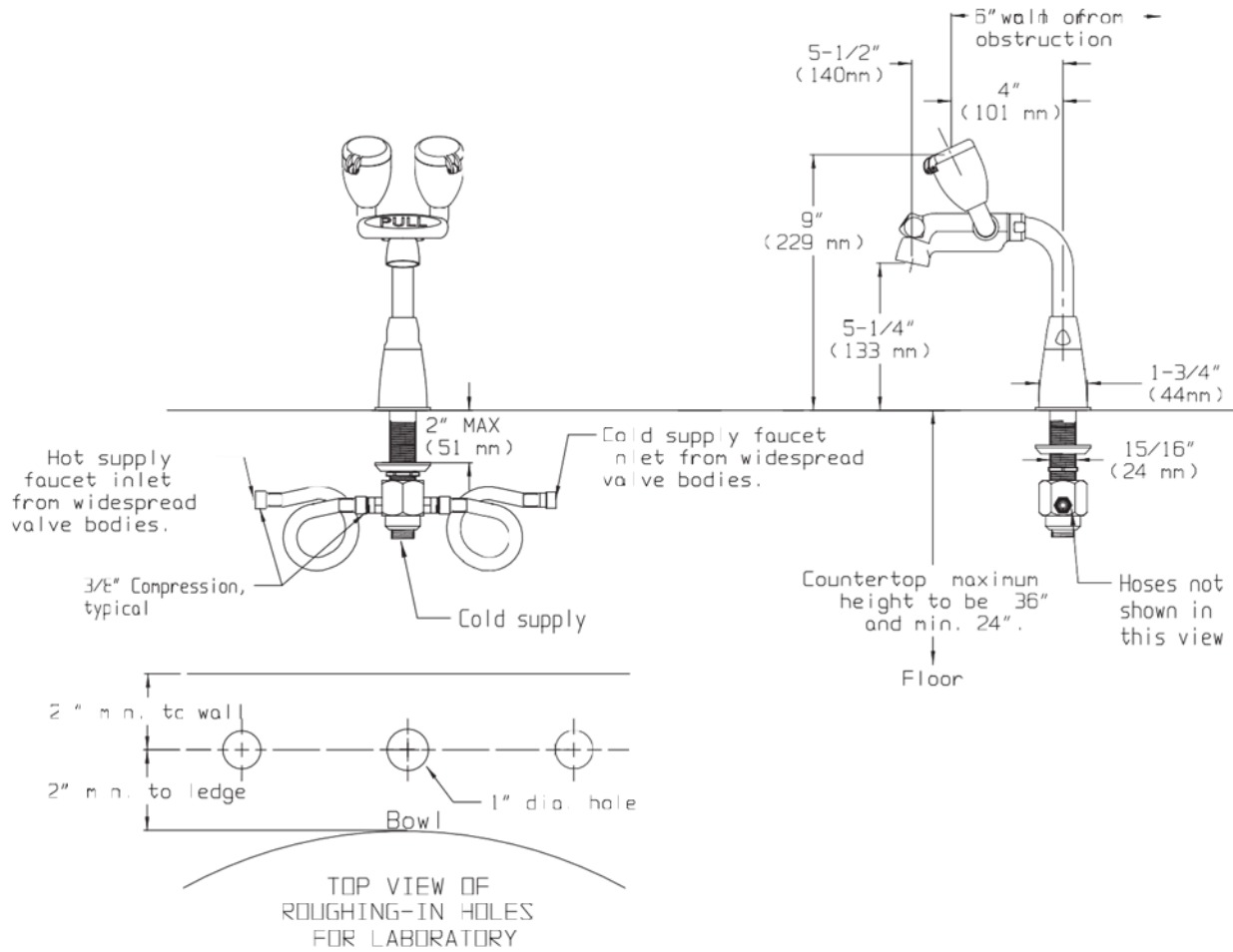
- 8 in. gooseneck spout - 8
- Vandal resistant 0.5 gpm flow control BO -
- Foot pedal activation FP -
- Laminar flow outlet 1.5 gpm LF -
- Non-aerated eyewash outlets NA -
- Serrated tip with vacuum breaker (not NSF 372 compliant) ST -
- Thermostatic mixing valve for eyewash TW -

WARRANTY:

- 3 year limited



DIMENSIONS: NOTE: 1. All dimensions are in inches (millimeters) unless otherwise specified and are subject to change without notice.



Electronic Hand Soap System



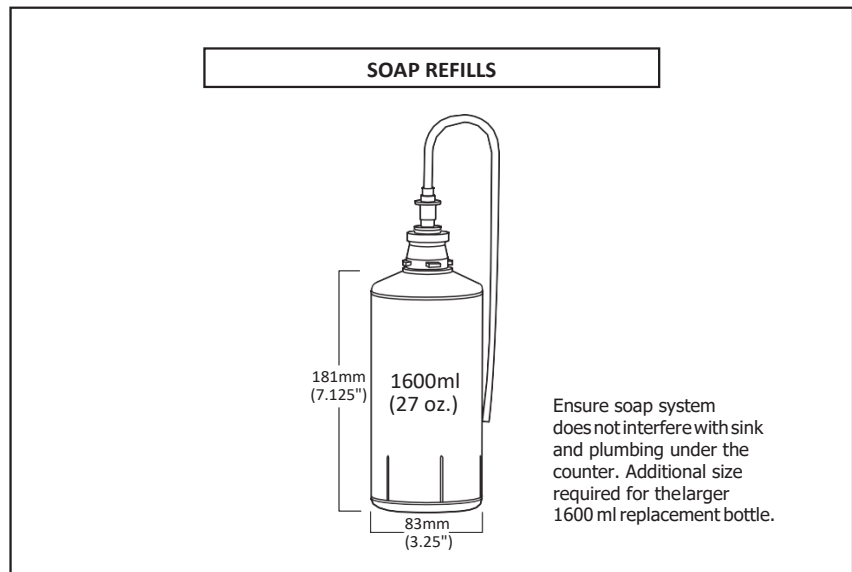
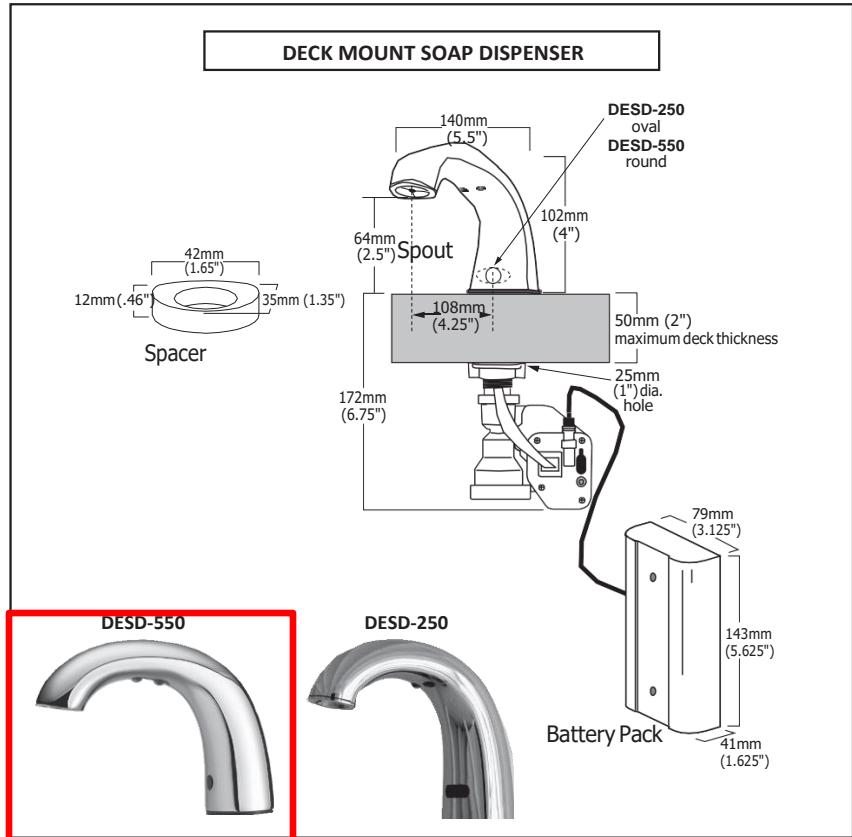
SPECIFICATION: (EXAMPLE)

- Deck mount electronic hand soap dispenser
- Sensor detects user's hand to automatically dispense soap
- 4 'D' Cell Batteries (included)
- Spacer (included) if sink rim is 3/4" high or greater
- 800 ml Lotion Hand Soap with Moisturizer (included)
- LED light blinks when refill is low
- LED light blinks when battery is low
- 3 year Delta® Commercial Faucet Limited Warranty

- **DESD-250**
 - Chrome spout
- **DESD-550**
 - Chrome **CAST** spout
- **060918A**
 - Soap Dispenser Plug-in Transformer 120 VAC to 6 VDC
- **060919A**
 - Soap Dispenser Converter 24 VAC to 6 VDC (transformer required – order separately)

SPECIFICATION: (EXAMPLE)

- Soap Refill
- 1600 ml
- 4/carton
- **060917A**
 - Lotion Hand Soap with Moisturizers



Refer to www.specselect.com for individual models.

Note: Use this page front and back as a product submittal sheet.

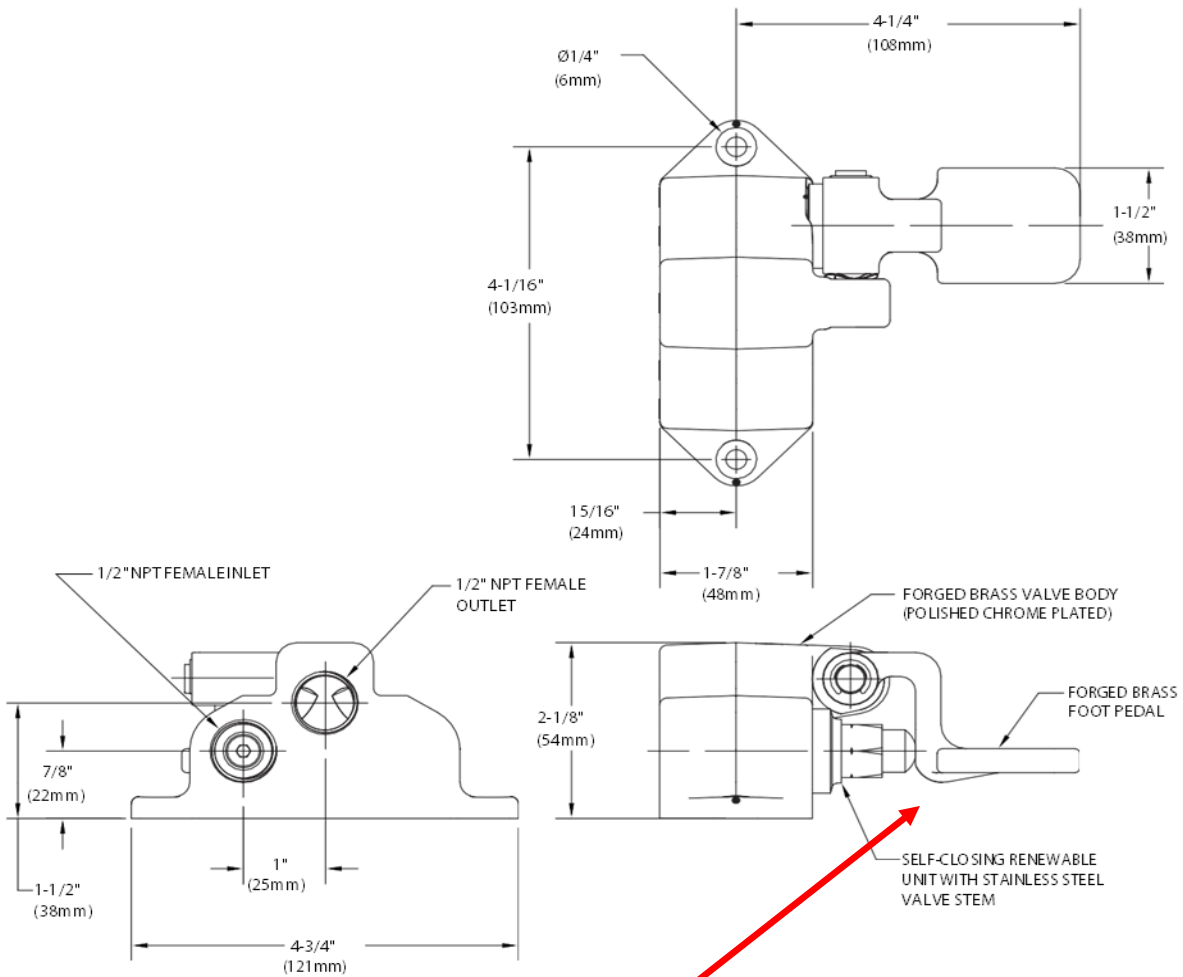
Delta reserves the right (1) to make changes in specifications and materials, and (2) to change or discontinue models, both without notice or obligation. Dimensions are for reference only. See current full-line price book or www.specselect.com for finish options and product availability.

DSP-DESD Rev. D



Foot-Operated Faucets

○ L3050 Foot-Operated Single Valve, Floor Mounted



***Note that the DST Foot Pedal will extend several inches lower.**