

ELKAY[®] SPECIFICATIONS

Elkay Celebrity Stainless Steel 19" x 18" x 7-1/8" Single Bowl Top Mount Sink Model(s) PSR1918

PRODUCT SPECIFICATIONS

Elkay Celebrity Stainless Steel 19" x 18" x 7-1/8", Single Bowl Top Mount Sink. Sink is manufactured from 20 gauge 304 Stainless Steel with a Brilliant Satin finish, Center drain placement, and Bottom only pads.

Installation Type:	Top Mount
Material:	304 Stainless Steel
Finish:	Brilliant Satin
Gauge:	20
Sound Deadening:	Bottom only pads
Number of Bowls:	1
Sink Dimensions:	19" x 18" x 7-1/8"
Bowl 1 Dimensions:	16" x 11-1/2" x 7"
Drain Size:	3-1/2" (89mm)
Drain Location:	Center
Minimum Cabinet Size:	24"
Mounting Hardware:	Part # 64090012 included for countertops up to 3/4" (19mm) thick
Cutout Template #:	1000001260

Template is available for download at [elkay.com](#)

Cutout Dimensions for Top Mount Installation:

18-3/8" x 17-3/8" (467mm x 441mm) with 1-1/2" (38mm) corner radius



AMERICAN PRIDE. A LIFETIME TRADITION. Like your family, the Elkay family has values and traditions that endure. For almost a century, Elkay has been a family-owned and operated company, providing thousands of jobs that support our families and communities.



Product Compliance: ASME A112.19.3/CSA B45.4
BUY AMERICAN ACT



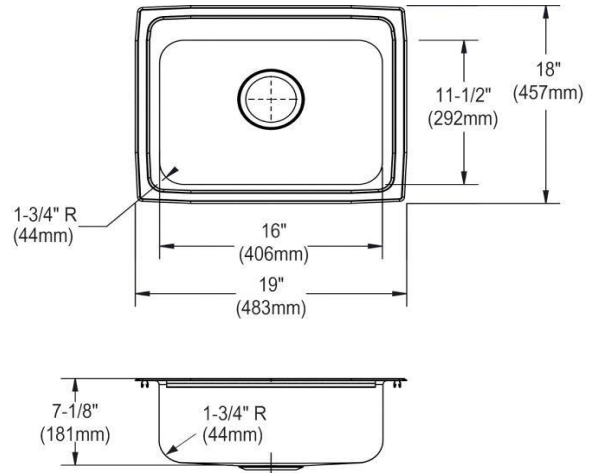
Sinks are listed by IAPMO[®] as meeting the applicable requirements of the Uniform Plumbing Code[®], International Plumbing Code[®], and National Plumbing Code of Canada.

[Clean and Care Manual \(PDF\)](#)

[Installation Instructions \(PDF\)](#)

[Limited Lifetime Warranty \(PDF\)](#)

Similar models are available with: N/A



PART: _____ QTY: _____

PROJECT: _____

CONTACT: _____

DATE: _____

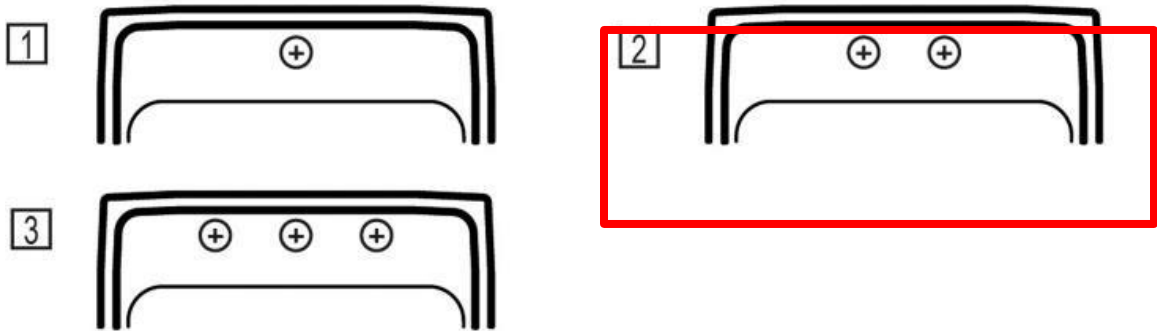
NOTES: _____

APPROVAL: _____

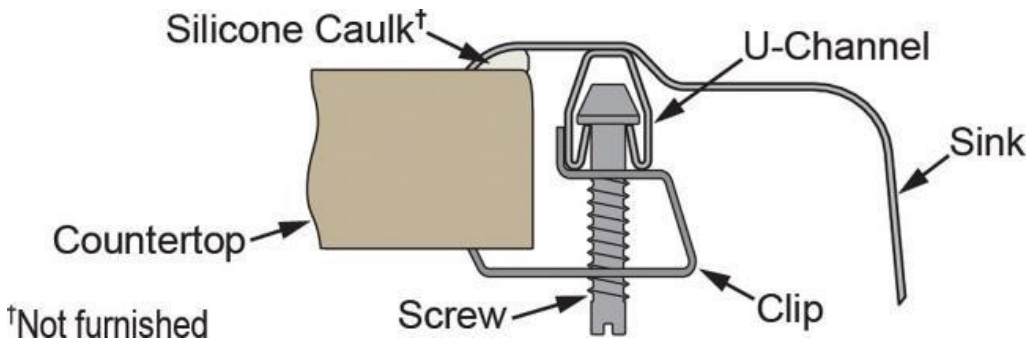
In keeping with our policy of continuing product improvement, Elkay reserves the right to change product specifications without notice. Please visit [elkay.com](#) for the most current version of Elkay product specification sheets. This specification describes an Elkay product with design, quality, and functional benefits to the user. When making a comparison of other producers' offerings, be certain these features are not overlooked.

Hole Drilling Configurations:

1-1/2" (38mm) Diameter Faucet Holes on 4" (102mm) Centers



Installation Profile:

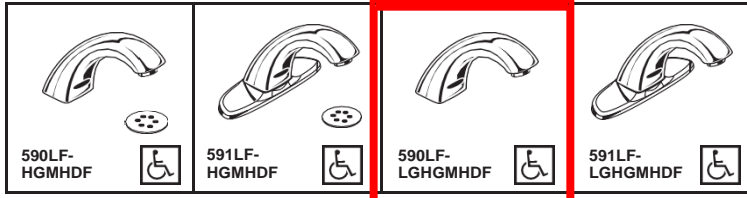


OPTIONAL ACCESSORIES

Bottom Grid:	LKWBG1116SS
Drain:	LK99
Faucet:	LKGT1041, LKGT2041
Hardware:	LK364, LK463
Rinsing Basket:	LKWRB1116SS
Sinkmate:	LKSMHSL
Soap Dispenser:	LKGT1054

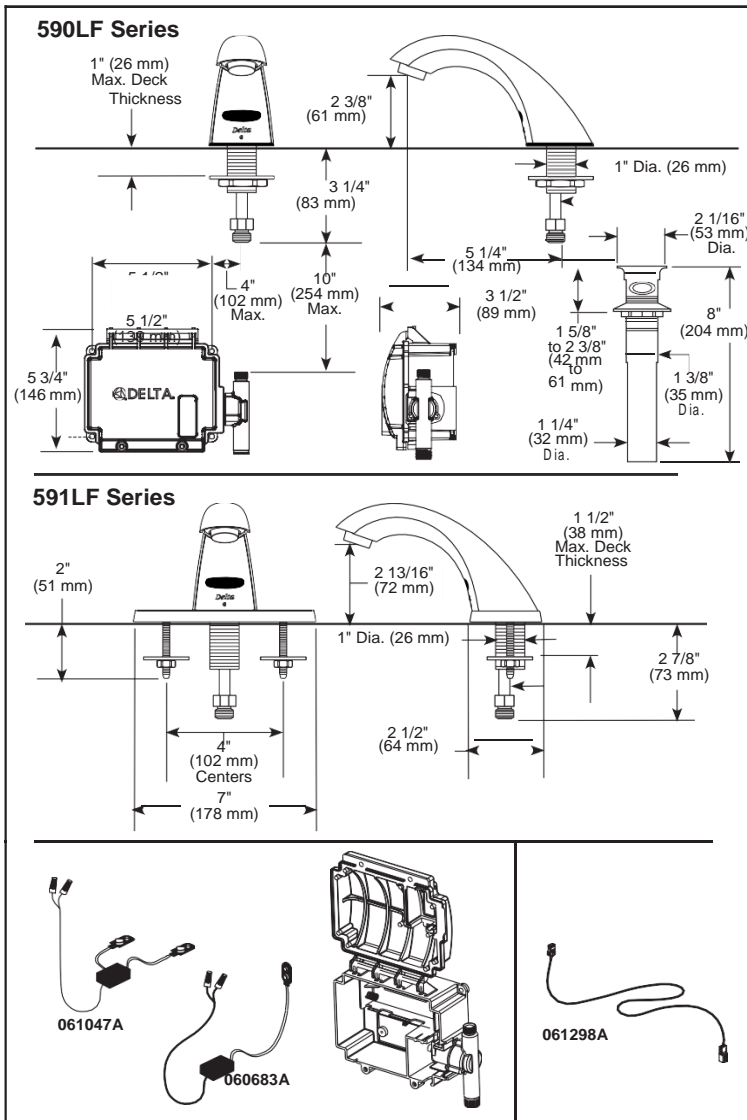
Electronic Lavatory Faucets

HDF[®]
COMMERCIAL



Submitted Model No.: _____

Specific Features: _____



- n Innovations[®] Electronic Faucet
- n Deck Mount
- n Single and 3 Hole Sink Applications
- n Electronic Battery Operated
- n Convertible to Hardwire Operation

STANDARD SPECIFICATIONS:

- Hands free (touchless) on/off activation.
- H₂Optics[®] technology. No external adjustments required.
- All metal faucet construction.
- No lift rod hole.
- 0.5 gpm (1.9 L/min) vandal resistant laminar outlet.
- 1.5 gpm (5.94 L/min) vandal resistant spray outlet available (RP31705).
- Powered by 4 "C" batteries.
- Low battery audible beep will activate after faucet shuts off when approximately 1500 cycles remain.
- Operates with a 45 second maximum run time. Will reset once obstruction is removed.
- Serviceable filter screen upstream of the valve.
- Model 591LF Series – 4" (102 mm) centers. 2 1/2" x 7" (64 mm x 178 mm) forged coverplate with locking mechanism (anti-rotation).
- Model 590LF Series – Center mount. Single hole installation.
- Convertible to Hardwire using standard transformer (120VAC to 24VAC) and Delta converter (24VAC to 6.4VDC) (060683A).
- Convertible to Hardwire with Battery Backup using standard transformer (120VAC to 24VAC) and Delta converter (24VAC to 6.4VDC) (061047A). **(See DSP-BB for detailed specification).**
- Optional 24" Extension Cable (061298A).
- Optional 8" Coverplate for field conversion (RP34280).

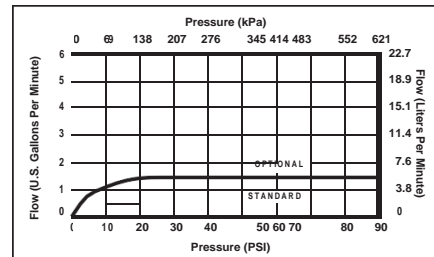
NOTE 1: For optimum performance of this product, we recommend a system pressure between 20 and 80 PSI static. This product will operate up to a maximum of 125 PSI static per ANSI and CSA requirements. However, we do not recommend pressures above 80 PSI. Thermal expansion or leaking pressure reducing valves may require use of expansion tanks or relief valves to ensure your system never exceeds its maximum intended pressure setting.

NOTE 2: Designed for routine 171° F (77°C) disinfection cycles up to 30 minutes.



COMPLIES WITH:

- ASME A112.18.1/CSA B125.1
- ASME A112.18.2/CSA/B125.2
- Indicates compliance to ICC/ANSI A117.1
- Patented
- Verified compliant with .25% weighted average Pb content regulations.



Delta reserves the right (1) to make changes in specifications and materials, and (2) to change or discontinue models, both without notice or obligation. Dimensions are for reference only. See current full-line price book or www.specselect.com for finish options and product availability.

DSP-590LF-HDF Rev. C

Electronic Hand Soap System



SPECIFICATION: (EXAMPLE)

- Deck mount electronic hand soap dispenser
- Sensor detects user's hand to automatically dispense soap
- 4 'D' Cell Batteries (included)
- Spacer (included) if sink rim is 3/4" high or greater
- 800 ml Lotion Hand Soap with Moisturizer (included)
- LED light blinks when refill is low
- LED light blinks when battery is low
- 3 year Delta® Commercial Faucet Limited Warranty

- **DESD-250**
 - Chrome spout
- **DESD-550**
 - Chrome **CAST** spout
- **060918A**
 - Soap Dispenser Plug-in Transformer 120 VAC to 6 VDC
- **060919A**
 - Soap Dispenser Converter 24 VAC to 6 VDC (transformer required – order separately)

SPECIFICATION: (EXAMPLE)

- Soap Refill
- 1600 ml
- 4/carton
- **060917A**
 - Lotion Hand Soap with Moisturizers

