

## ELKAY<sup>®</sup> SPECIFICATIONS

### Elkay Celebrity Stainless Steel 19" x 18" x 7-1/8" Single Bowl Top Mount Sink Model(s) PSR1918

#### PRODUCT SPECIFICATIONS

Elkay Celebrity Stainless Steel 19" x 18" x 7-1/8", Single Bowl Top Mount Sink. Sink is manufactured from 20 gauge 304 Stainless Steel with a Brilliant Satin finish, Center drain placement, and Bottom only pads.

<b>Installation Type:</b>	Top Mount
<b>Material:</b>	304 Stainless Steel
<b>Finish:</b>	Brilliant Satin
<b>Gauge:</b>	20
<b>Sound Deadening:</b>	Bottom only pads
<b>Number of Bowls:</b>	1
<b>Sink Dimensions:</b>	19" x 18" x 7-1/8"
<b>Bowl 1 Dimensions:</b>	16" x 11-1/2" x 7"
<b>Drain Size:</b>	3-1/2" (89mm)
<b>Drain Location:</b>	Center
<b>Minimum Cabinet Size:</b>	24"
<b>Mounting Hardware:</b>	Part # 64090012 included for countertops up to 3/4" (19mm) thick
<b>Cutout Template #:</b>	<a href="#">1000001260</a>

Template is available for download at [elkay.com](http://elkay.com)

#### Cutout Dimensions for Top Mount Installation:

18-3/8" x 17-3/8" (467mm x 441mm) with 1-1/2" (38mm) corner radius



AMERICAN PRIDE. A LIFETIME TRADITION.  
Like your family, the Elkay family has values and traditions that endure. For almost a century, Elkay has been a family-owned and operated company, providing thousands of jobs that support our families and communities.



**Product Compliance:** ASME A12.19.3/CSA B45.4  
BUY AMERICAN ACT



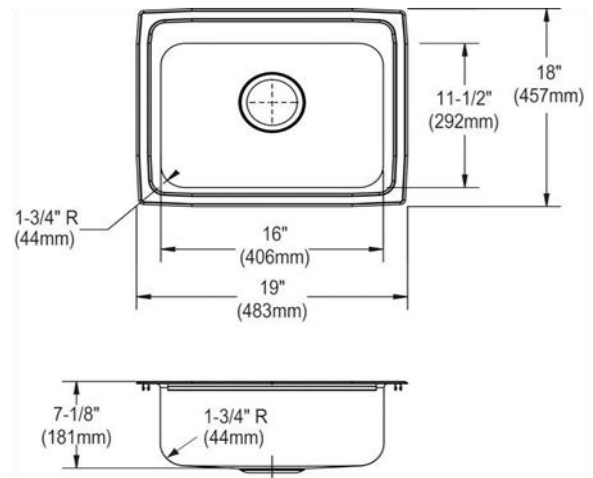
Sinks are listed by IAPMO<sup>®</sup> as meeting the applicable requirements of the Uniform Plumbing Code<sup>®</sup>, International Plumbing Code<sup>®</sup>, and National Plumbing Code of Canada.

[Clean and Care Manual \(PDF\)](#)

[Installation Instructions \(PDF\)](#)

[Limited Lifetime Warranty \(PDF\)](#)

Similar models are available with: N/A

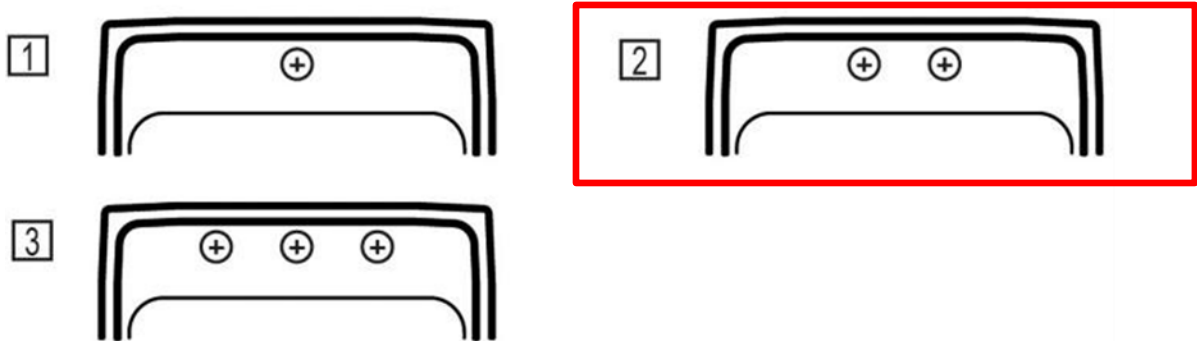


PART: \_\_\_\_\_ QTY: \_\_\_\_\_  
 PROJECT: \_\_\_\_\_  
 CONTACT: \_\_\_\_\_  
 DATE: \_\_\_\_\_  
 NOTES: \_\_\_\_\_  
 APPROVAL: \_\_\_\_\_

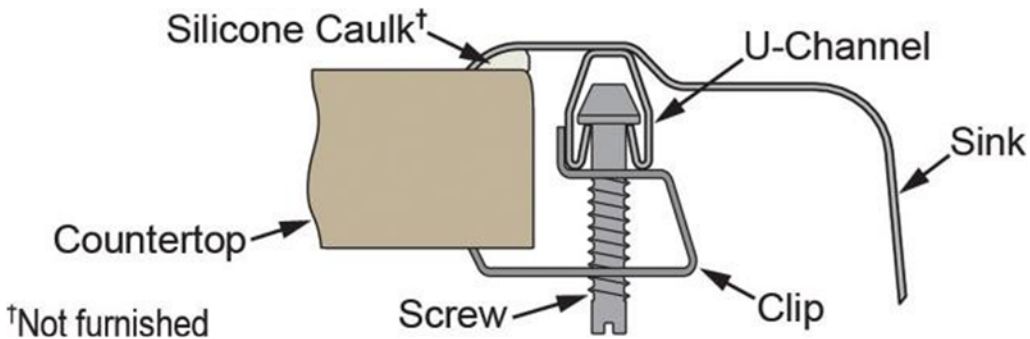
*In keeping with our policy of continuing product improvement, Elkay reserves the right to change product specifications without notice. Please visit [elkay.com](http://elkay.com) for the most current version of Elkay product specification sheets. This specification describes an Elkay product with design, quality, and functional benefits to the user. When making a comparison of other producers' offerings, be certain these features are not overlooked.*

**Hole Drilling Configurations:**

1-1/2" (38mm) Diameter Faucet Holes on 4" (102mm) Centers


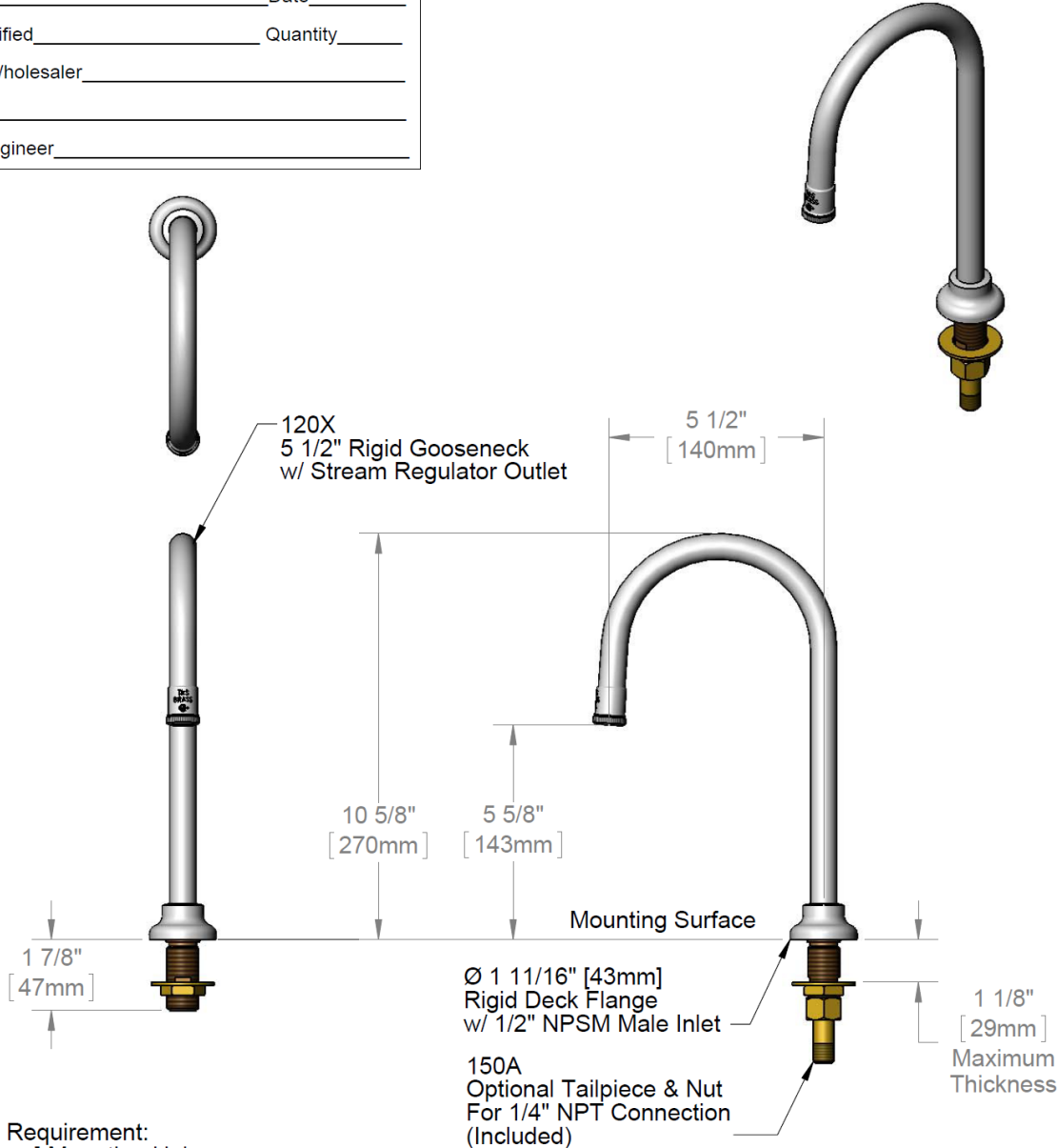


**Installation Profile:**



**OPTIONAL ACCESSORIES**

<b>Bottom Grid:</b>	LKWBG1116SS
<b>Drain:</b>	LK99
<b>Faucet:</b>	LKGT1041, LKGT2041
<b>Hardware:</b>	LK364, LK463
<b>Rinsing Basket:</b>	LKWRB1116SS
<b>Sinkmate:</b>	LKSMHSL
<b>Soap Dispenser:</b>	LKGT1054

	<b>T&amp;S BRASS AND BRONZE WORKS, INC.</b> 2 Saddleback Cove / P.O. Box 1088 Travelers Rest, SC 29690	Model No. <p style="text-align: center;"><b>B-0520</b></p> Item No.
Travelers Rest, SC: 800-476-4103 • Simi Valley, CA: 800-423-0150 • Fax: 864-834-3518 • www.tsbrass.com		
This Space for Architect/Engineer Approval Job Name _____ Date _____ Model Specified _____ Quantity _____ Customer/Wholesaler _____ Contractor _____ Architect/Engineer _____		
		
<b>Rough-In Requirement:</b> Ø 1" [25mm] Mounting Hole		
<b>Product Specifications:</b> Dummy Gooseneck: 5 1/2" Rigid Gooseneck & 1/2" NPSM Male Inlet		<b>Product Compliance:</b> ASME A112.18.1 / CSA B125.1 NSF 61 - Section 9 NSF 372 (Low Lead Content)
Drawn: KJG	Checked: JRM	Approved: JHB
Date: 04/30/14	Scale: 1:4	Sheet: 1 of 2



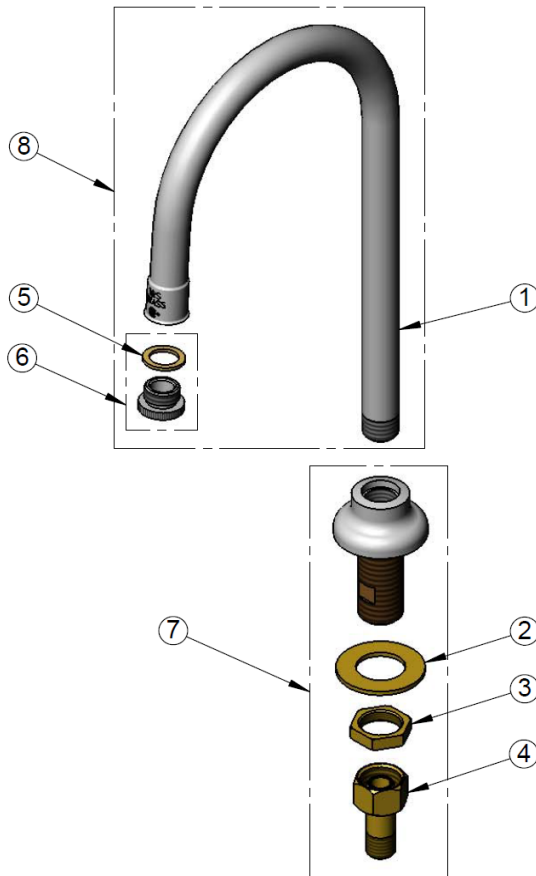
**T&S BRASS AND BRONZE WORKS, INC.**  
 2 Saddleback Cove / P.O. Box 1088  
 Travelers Rest, SC 29690

Model No.  
**B-0520**

Item No.

Travelers Rest, SC: 800-476-4103 • Simi Valley, CA: 800-423-0150 • Fax: 864-834-3518 • www.tsbrass.com

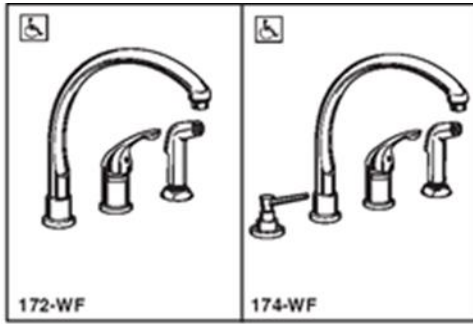
ITEM NO.	SALES NO.	DESCRIPTION
1	000398-40	Rigid Gooseneck
2	000999-45	Brass Lock Washer
3	002954-45	Shank Lock Nut
4	150A	1/4" NPT Tailpiece & Nut
5	001043-45	Washer
6	B-LT	Stream Regulator Outlet
7	B-0430	Rigid Base Deck Mount Flange
8	120X	Rigid Gooseneck



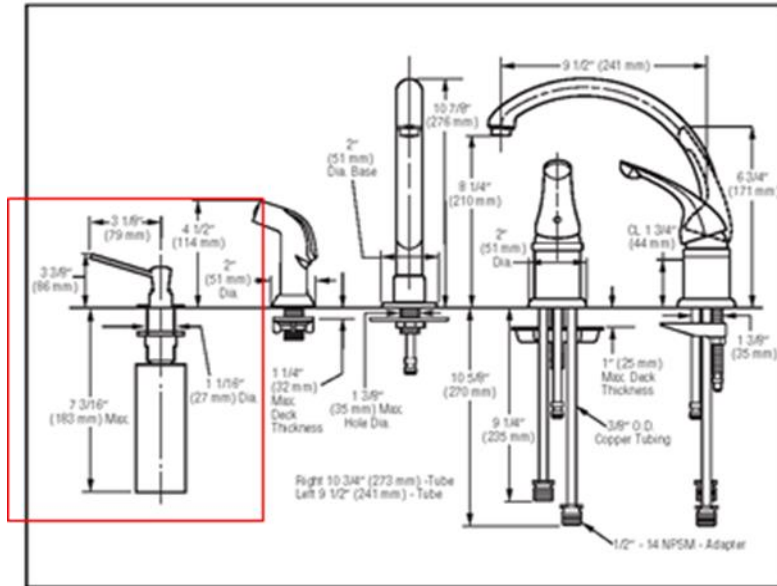
Product Specifications:  
 Dummy Gooseneck: 5 1/2" Rigid Gooseneck & 1/2" NPSM Male Inlet

Product Compliance:  
 ASME A112.18.1 / CSA B125.1  
 NSF 61 - Section 9  
 NSF 372 (Low Lead Content)

Drawn: KJG | Checked: JRM | Approved: JHB | Date: 04/30/14 | Scale: NTS | Sheet: 2 of 2



Submitted Model No.: \_\_\_\_\_  
 Specific Features: \_\_\_\_\_



**KITCHEN FAUCETS**

- Waterfall® Series
- Single Handle Widespread Deck Mount
- 3 and 4 Hole Sink Applications
- Quick Snap® Hose Installation

**STANDARD SPECIFICATIONS:**

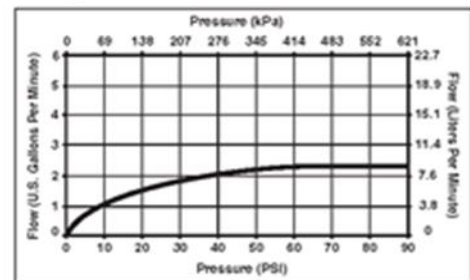
- Solid brass fabricated body.
- 9 1/2" (241 mm) long, 10 7/8" (276 mm) high spout swings 360°.
- Lever handle. Control mechanism shall be of the rotating stainless steel ball type with replaceable non-metallic seats operating in stainless steel lined sockets.
- Control handle shall return to neutral position when valve is turned off.
- Model 172 and 174 series with spray attachment has anti-siphon device as integral part of valve body.
- Quick Snap® hose installation.
- Vegetable sprayer with matching finish sprayhead - 45" (1143mm) long hose.
- 3/8" O.D. straight, staggered copper tube inlets - 9 1/2" (241mm) and 10 3/4" (273mm) long with 1/2"-14 NPSM adapters.
- Recommended hole sizes 1 3/8" (35 mm) on 4" (102 mm) centers.

**WARRANTY**

- Lifetime Faucet and Finish Limited Warranty to the original consumer purchaser to be free from defects in material and workmanship.
- 5 Year Limited Warranty for usage in all industrial, commercial and business applications.

**COMPLIES WITH:**

- ASME A112.18.1 / CSA B125.1
- Indicates ADA compliance to ICC/ANSI A117.1
- IAPMO Listed
- CSA Certified



Indianapolis, Indiana 46280  
 A Division of Metco Corporation of Indiana  
 © 2005 Metco Corporation of Indiana

Delta reserves the right (1) to make changes in specifications and materials, and (2) to change or discontinue models, both without notice or obligation. Dimensions are for reference only. See full-line price book for finish options and product availability.

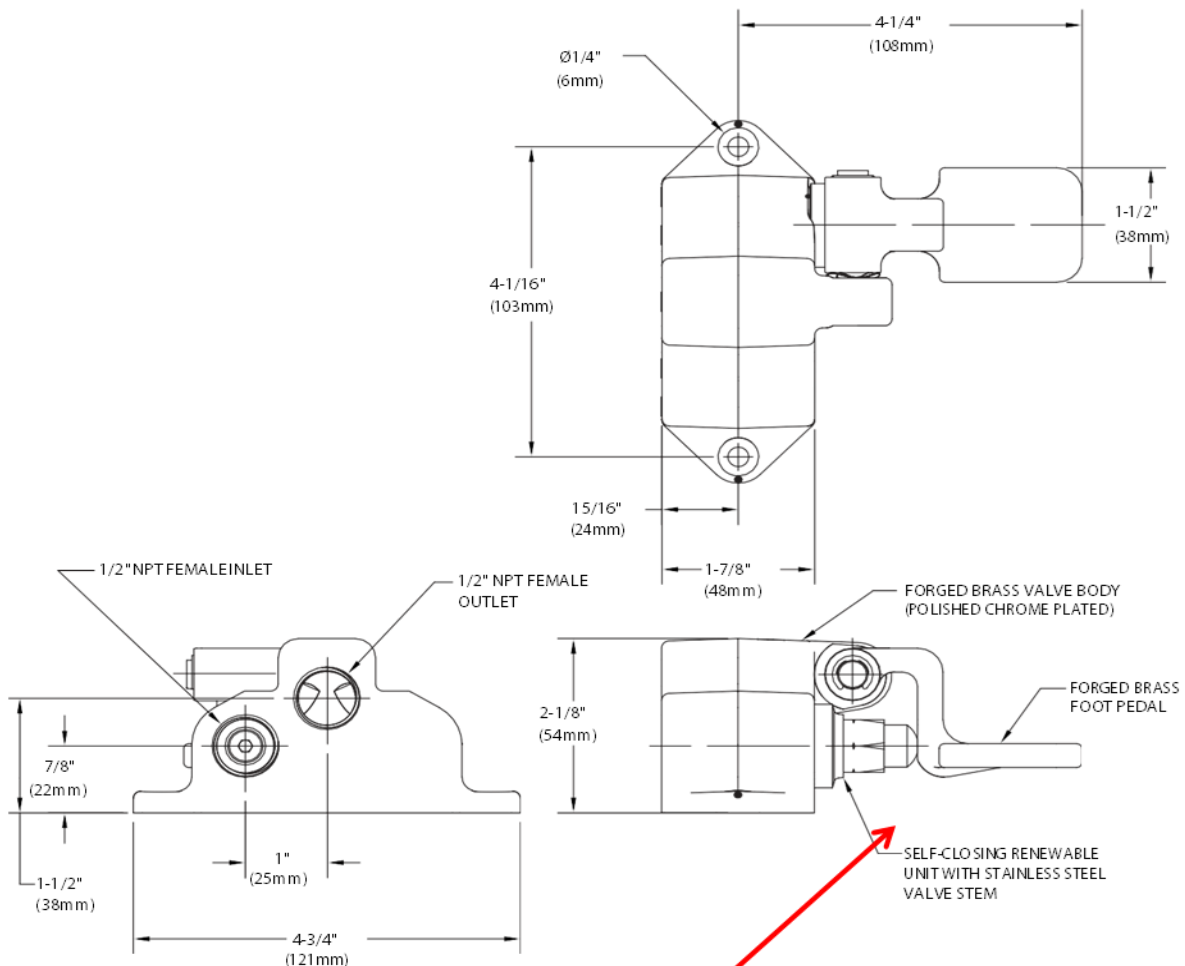
DSP-K-172 Rev. F

4 D-8



Foot-Operated Faucets

L3050 Foot-Operated Single Valve, Floor Mounted



**\*Note that the DST Foot Pedal will extend several inches lower.**