

## Todd Hydro-Aspirator

This counter mounted unit provides the function of a hydro-aspirator.



### FEATURES

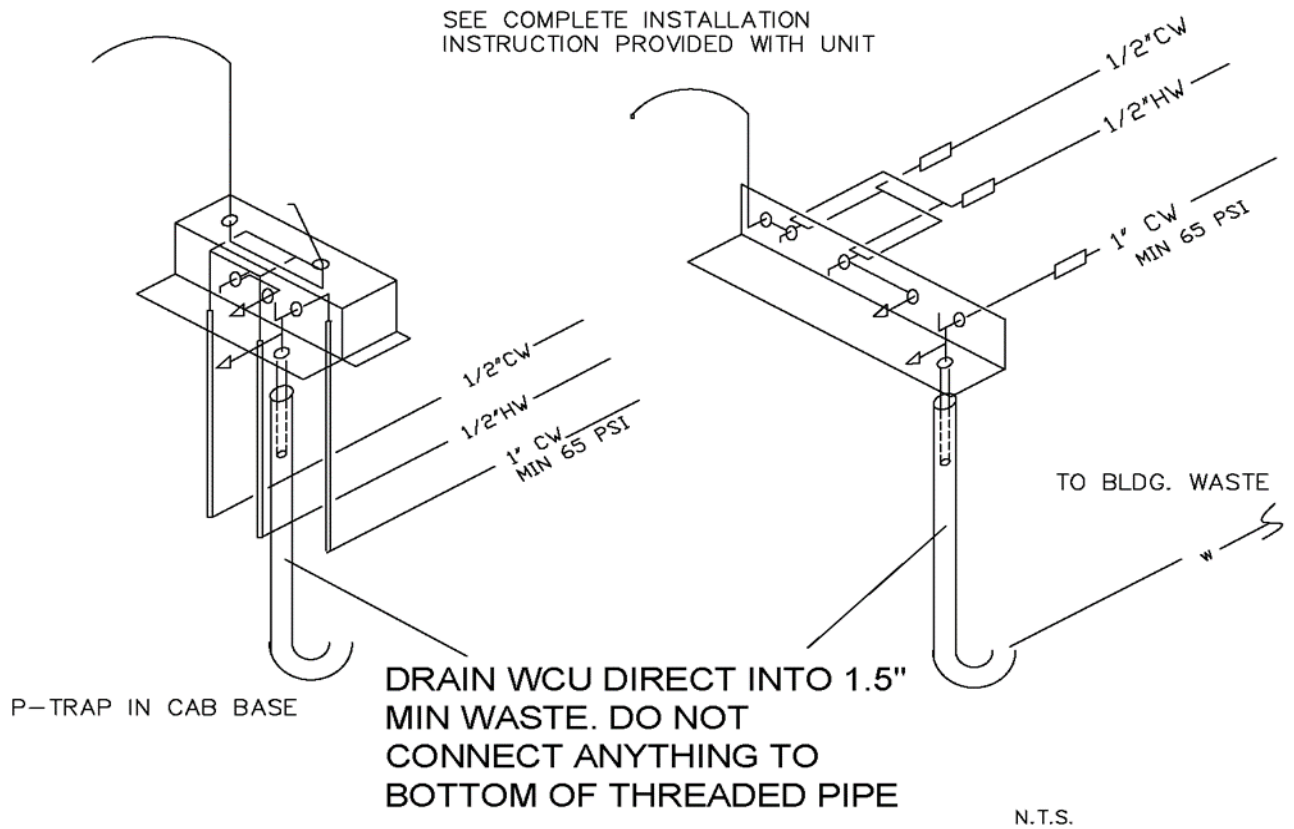
Ultra-space-saving.
Quick-disconnects and 12" of tubing for aspirator and morgue table water.
Braided stainless steel supply hose.

### Specifications

Size	7" x 5" x 7"
Weight	5 lbs
Construction	16 – Gauge stainless steel
Components	12-ft. clear hose
	1 quick-disconnect
	Braided stainless steel supply hose

## Todd Hydro-Aspirator Installation

Cold Water Line	¾" flex hose (included).
Mounting	Designed for countertop mounting.
Auxiliary Requirements for Proper Operation	Continuously operating water pressure of 65 to 85 psi. Installation of a Volume Pressure Control System, DST 302, is recommended. 1" cold water line to the preparation room.
Auxiliary Requirements for Code Compliance	Reduced pressure backflow preventers required on cold water supply. Clean out all plumbing lines prior to start up. Mark piping to Todd Hydro-Aspirator as non-potable per plumbing code requirements.



DO NOT CUT FACTORY SUPPLIED THREADED BRASS PIPE – VOIDS WARRANTY. SLEEVE FACTORY PIPE INTO 1½" BUILDING WASTE

DRAIN DIRECT INTO 1.5" MIN WASTE LINE FROM SUPPLIED THREADED PIPE DO NOT THREAD ANYTHING ONTO THE PIPE

## IMPORTANT NOTICE REGARDING WATER CONTROL UNIT WASTE LINE CONFIGURATION

DUNCAN STUART TODD LTD

V1-18-16