

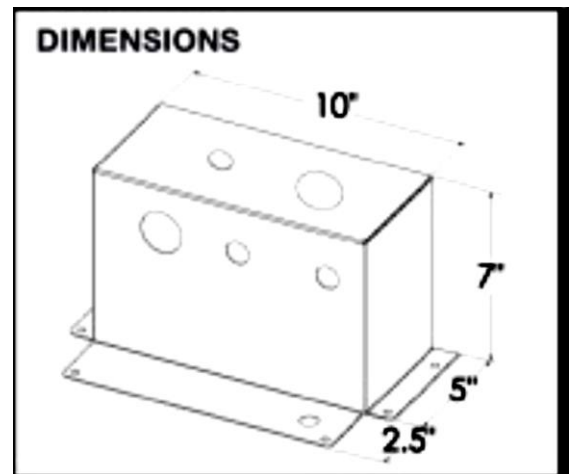
TODD WATER CONTROL UNIT 4000

The Todd Water Control Unit 4000 is an economical solution for the efficient management of water service during the embalming process. It is designed for installation on island table counters or other locations where the unit is visible from all four sides. The WCU 4000 comes complete with a hydro-aspirator, hot and cold-water embalming machine fill, and hot and cold water for the morgue table.



FEATURES

Ultra-space-saving.
Island-table mounting version.
All four sides constructed of solid stainless steel, with removable stainless-steel back plate for easy-access to plumbing connections.
Quick-disconnects and 12" of tubing for aspirator and morgue table water.
Custom fill spout riser height, spout extensions and wall brace available upon request.



TODD WATER CONTROL UNIT 4000

Specifications

Height of fill spout above counter varies. Add 4" to all heights for clearance required for mounting under upper cabinets.

Weight: 12 lbs

Aspirator performance: 27-29# @ 65 psi.

All stainless-steel housing and chrome fittings

INSTALLATION

Unit is supplied pre-assembled and pre-plumbed, except for gooseneck spout

Provide 1" cold water supply and 1/2" hot water supply to angle stop.

Requires a minimum 1 1/2" aspirator waste line with p-trap connected directly to facility waste line

Supplied with stainless steel mounting hardware, template, and installation requirements.

Install in accordance with all applicable codes.

Flush all plumbing lines prior to start-up

TODD WATER CONTROL UNIT 4000

AUXILLARY REQUIREMENTS FOR CODE COMPLIANCE

Reduced pressure backflow preventers required on cold and hot water lines.

Mark piping to Todd WCU 3000 as non-potable per plumbing code requirements.

AUXILLARY REQUIREMENTS FOR PROPER ASPIRATOR OPERATION

1" high pressure cold water line to the preparation room

Continuously operating water pressure of 65 to 85 psi to aspirator

We recommend units be installed with a volume pressure control system.

TODD WATER CONTROL UNIT 4000

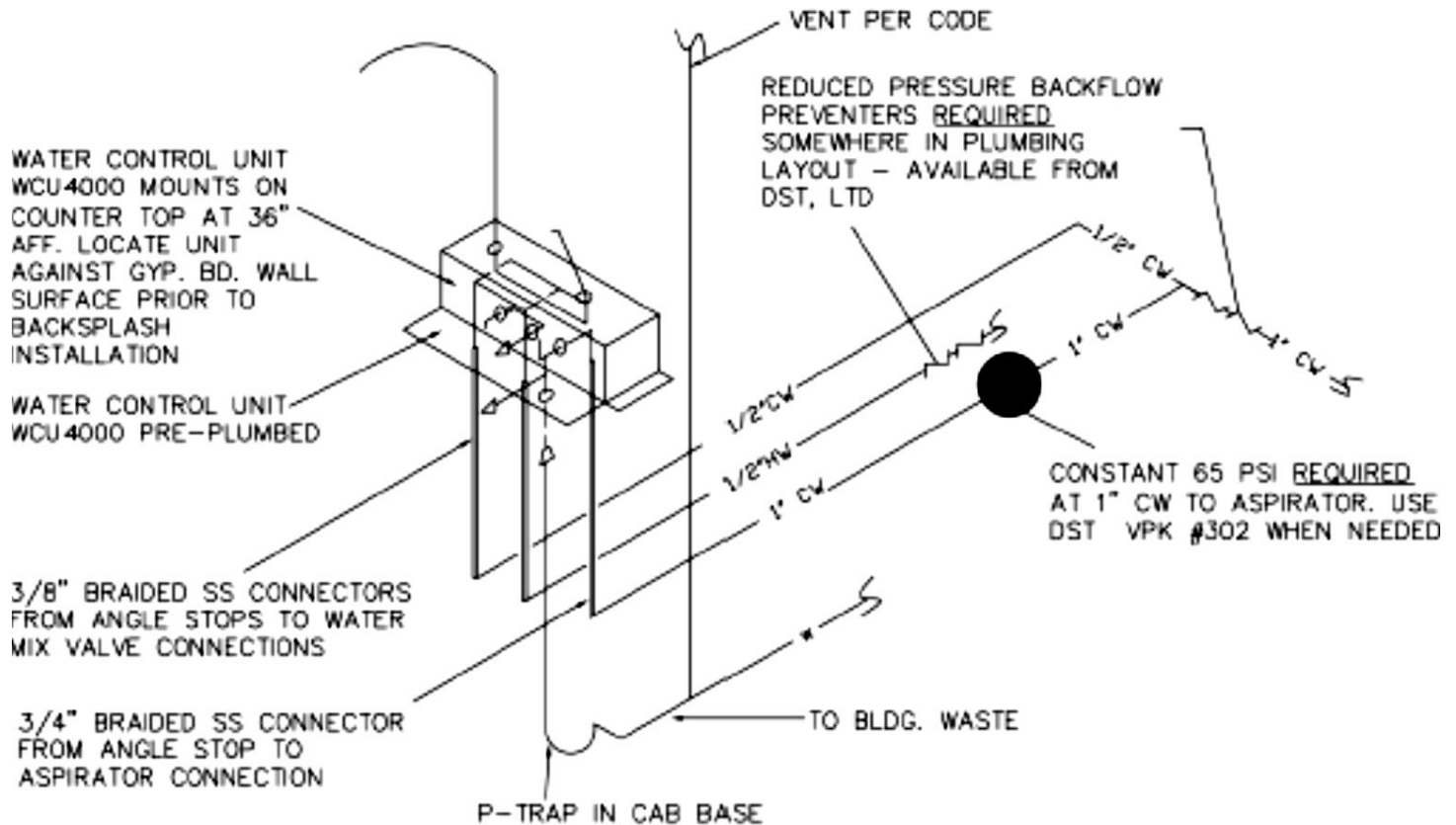
DUNCAN STUART TODD, LTD.

PO BOX 3578

BOULDER, CO 80307

(P) 720 583.1886 (F) 877 507.5560

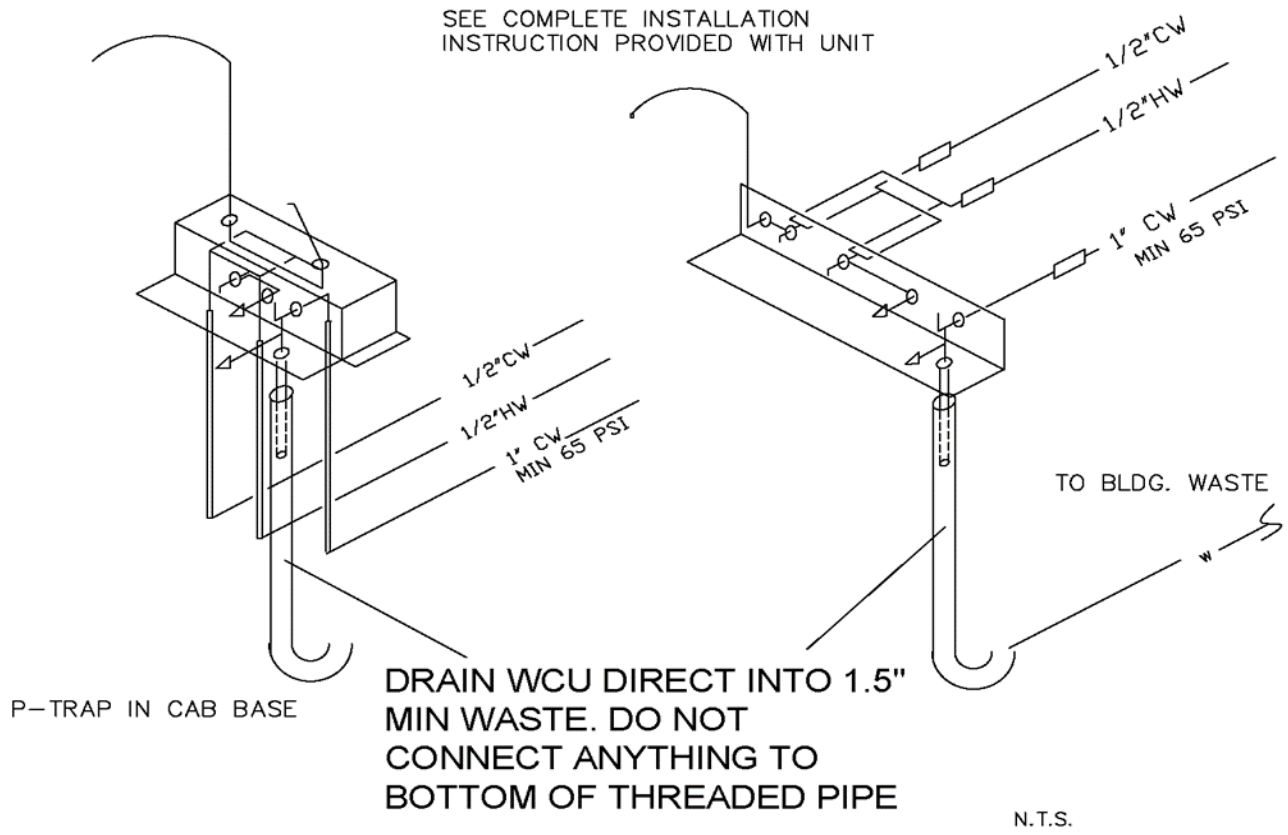
info@duncanstuarttodd.com



SCHEMATIC RISER DIAGRAM - STAND ALONE WCU4000

11/12

N.T.S.



DO NOT CUT FACTORY SUPPLIED THREADED BRASS PIPE – VOIDS WARRANTY. SLEEVE FACTORY PIPE INTO 1½" BUILDING WASTE

DRAIN DIRECT INTO 1.5" MIN WASTE LINE FROM SUPPLIED THREADED PIPE DO NOT THREAD ANYTHING ONTO THE PIPE

IMPORTANT NOTICE REGARDING WATER CONTROL UNIT WASTE LINE CONFIGURATION

DUNCAN STUART TODD LTD

V1-18-16