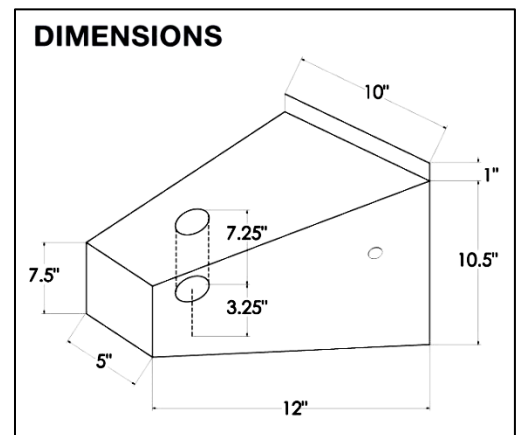


TODD MTR 5000

The Morgue Table Receptor 5000 is a rinsing rim direct drain system for waste removal at the foot end of the table.

FEATURES

Ultra-space-saving, compact design fits easily into both new and retrofit projects.
Continuous incoming water supply keeps drain line clear and reduces airborne particulates.
Built-in pressure-reducing device helps maintain recommended PSI, easily removable if desired.
Cabinet mounted for easy floor cleaning.
Removable 3" round strainer sleeve with easy-lift handle captures cotton and other large waste.



SPECIFICATIONS

Manufactured from 16-gauge stainless steel.
Weight: 10 lbs.
Recommended mounting height: 26" above floor to top of the unit.

TODD MTR 5000 DST 216

REQUIREMENTS FOR CODE COMPLIANCE

Reduced-pressure backflow preventers required on cold water line.

Mark piping to Todd MTR 5000 non-potable per plumbing code requirements.

INSTALLATION

Unit is pre-plumbed and ready to mount with 4 fasteners, supplied.

Mount unit on a 32" wide fixed panel.

One ½" flexible cold-water connection from angle stop.

One 2" waste line with p-trap connected directly to facility waste line.

Supplied with mounting hardware, template, and installation instructions.

Install in accordance with all applicable codes.

Clean out all plumbing lines prior to startup.

TODD MTR 5000 DST 216

