



3462 
3464



**Low Consumption Wall Hung
 Blow-Out Bowl**
 Vitreous China

FEATURES

• **3462 Rapidway™**

Bowl: 3462 Rapidway™ (1.6 gpf / 6.0 lpf) blowout action, elongated rim, 1½" back spud, wall hung with integral seat.

Valve:* Flushvalve with vacuum breaker, 1" screwdriver angle stop and flush connection. Suggested (1.6 gpf / 6.0 lpf) flushvalves are:

- Sloan "Royal" #143-1.5
- Delany "Flushboy" #F534-1.6
- Zurn "Aquaflush" #Z-6143-WS-1

Bowl: 3462 Rapidway™ (3.5 GPF/13.2 LPF) blowout action, elongated rim, 1 ½" back spud, wall hung with integral seat.

Valve:* Flushvalve with vacuum breaker, 1" screwdriver angle stop and flush connection. Suggested (3.5 GPF/13.2 LPF) flushvalves are:

- Sloan "Royal" #152
- Delany "Flushboy" #534-AVB
- Zurn "Aquaflush" #Z-6152

• **3464 Rapidway™**

Bowl: 3464 Rapidway™ (1.6 gpf / 6.0 lpf) blowout action, elongated rim, 1½" back spud, wall hung with seat post holes.

Valve: See 3462 (1.6 gpf / 6.0 lpf) valve specifications.

Bowl: 3464 Rapidway™ (3.5 gpf / 13.2 lpf) blowout action, elongated rim, 1 ½" back spud, wall hung with seat post holes.

Valve: See 3462 (3.5 gpf / 13.2 lpf) valve specifications

Supply:

Seat:

Color:

Support:

Min 3" Recommended

NOTES

- Fixture conforms to ANSI/ASME A112.19.2M standard.
- **For efficient operation of the bowl, a minimum flowing water pressure of 25 P.S.I. is required at the valve.
- Fixture complies to ADA requirements when mounted at rim height of 17".
- Fully glazed trapway.

WATER ECONOMY FACTS

Average Gallons Per Flush	**25 PSI	50 PSI	80 PSI
3462 Elongated Rim (1.6 GPF)	1.58	1.59	1.58
3462 Elongated Rim (3.5 GPF)	3.50	3.50	3.50
Trapway.....	2 ½"		
Water Surface.....	12 X 10"		
Water Seal.....	2 ½"		



* Not furnished by CR/PL, L.L.C. Description for specification purposes only.

CR/PL © 04/03 Printed in U.S.A.

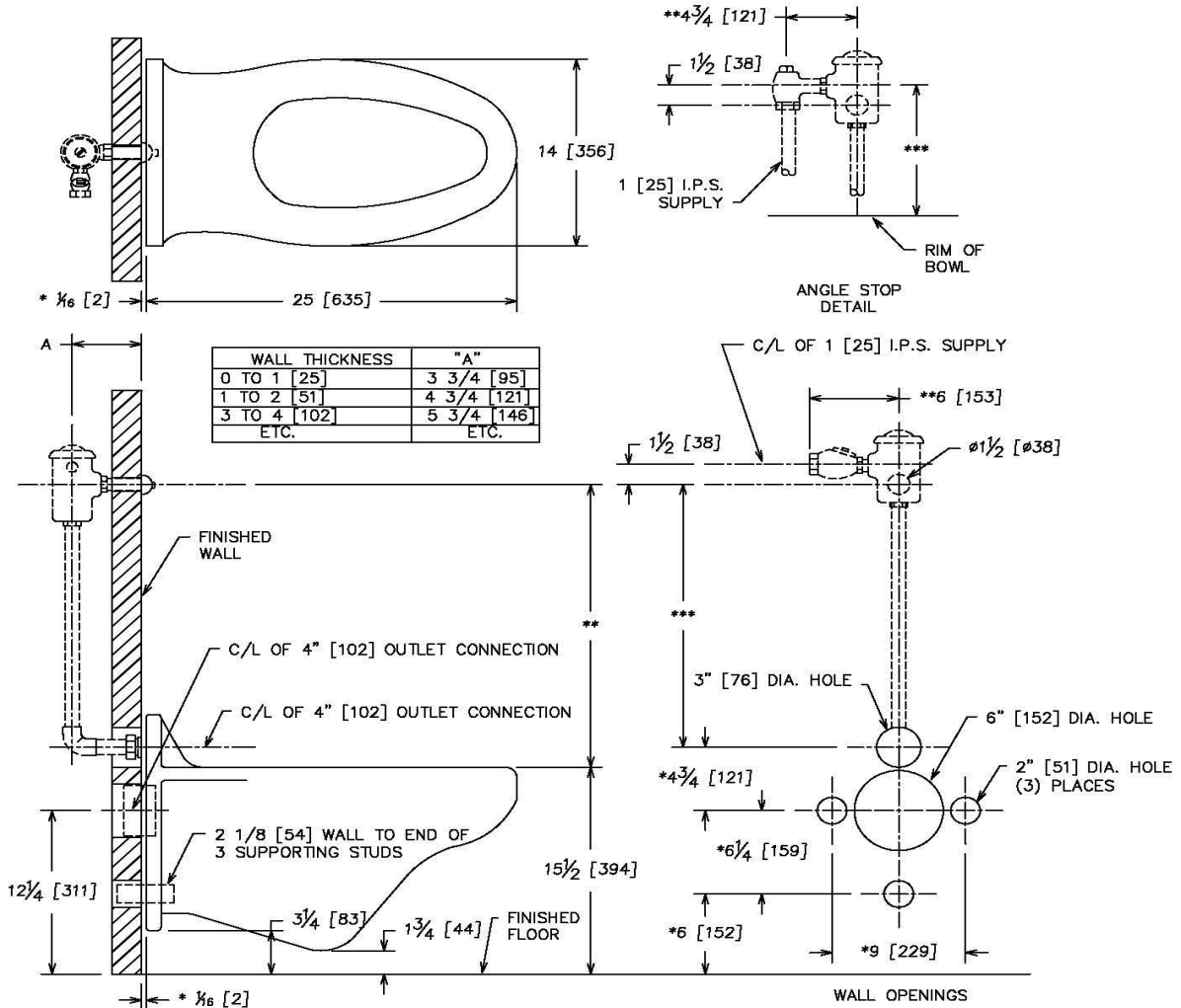


Low Consumption Wall Hung Blow-Out Bowl

3462

3464

****ADA COMPLIANCE



NOTE: ROUGH-IN DIMENSIONS FOR CLOSET SUPPORTING UNIT TO BE OBTAINED DIRECT FROM MANUFACTURER. CHECK WITH MANUFACTURER FOR PROPER OUTLET COUPLING EXTENSION BEYOND FINISHED WALL.
 ALTERNATE CHOICE: 3464E SAME AS ABOVE EXCEPT WITH HOLES FOR SEAT INSTEAD OF INTEGRAL SEAT.

- * THESE DIMENSIONS MUST BE MAINTAINED FOR PROPER INSTALLATION.
- ** ROUGH-IN ANGLE STOP WHEN REQUIRED.
- *** VARIABLE-CHECK WITH MANUFACTURER OF FLUSHVALVE FOR PROPER ROUGHING-IN DIMENSION.
- **** FIXTURE COMPLIES WITH AMERICANS WITH DISABILITIES ACT WHEN MOUNTED AT RIM HEIGHT OF 17". FOR OUTLET CONNECTION USE NEOPRENE OR RUBBER GASKETS. NOT FOR USE WITH A WAX RING.



IMPORTANT: Roughing-in dimensions may vary 1/2" and are subject to change or cancellation without prior notice. No responsibility is assumed for use of superseded or voided leaflets.

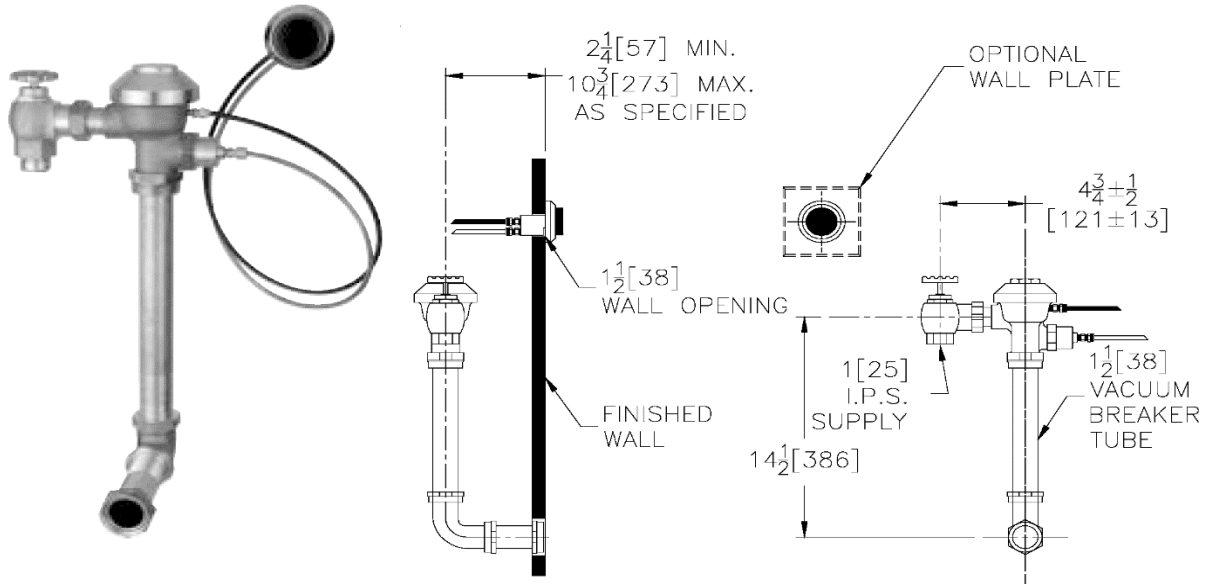
CR/PL© 04/03 Printed in U.S.A.



DST 209 China MTR
Flush Valve

AquaVantage® AV Model
TAG _____

**Concealed ZH6152AV Model
With Hydraulic Actuator For Water Closets**



Flow Options

<input type="checkbox"/>	-WS1	1.6 Gal. Low Consumption Flush
<input type="checkbox"/>	-FF	4.5 Gal. Full Flush
<input checked="" type="checkbox"/>	Standard Flush	3.5 Gallons Per Flush

Suffix Options (Check/Specify Appropriate Options)

_____	-FW	Fixture Wall Mounted Hydraulic Actuator
_____	-MB	1" [25] Metal push button Hydraulic Actuator
_____	-SW	Side Wall Mounted Hydraulic Actuator
_____	-WP	Wall Plate for Push Button (ZP-50)
_____		Other

ENGINEERING SPECIFICATION: ZURN ZH6152AV AquaVantage® 'AV' Concealed Closet Flush Valve with Hydraulic Actuation- Concealed, quiet diaphragm-type rough brass flushometer valve with Zurn's AquaVantage® TPE, chloramine resistant, dual seal diaphragm with a clog resistant, triple filtered by-pass. The valve is complete with a non-hold open type hydraulic push button actuator that may be located up to 36" [914] (7' [2133] with -SW option) from the valve, high back pressure vacuum breaker, one piece hex coupling nut, adjustable tailpiece, elbow flush connection, spud coupling and flange for back spud connection. Control stop has internal siphon-guard protection, and sweat solder kit. Internal seals are made of chloramine resistant materials.

This space is for Architectural/engineering Approval

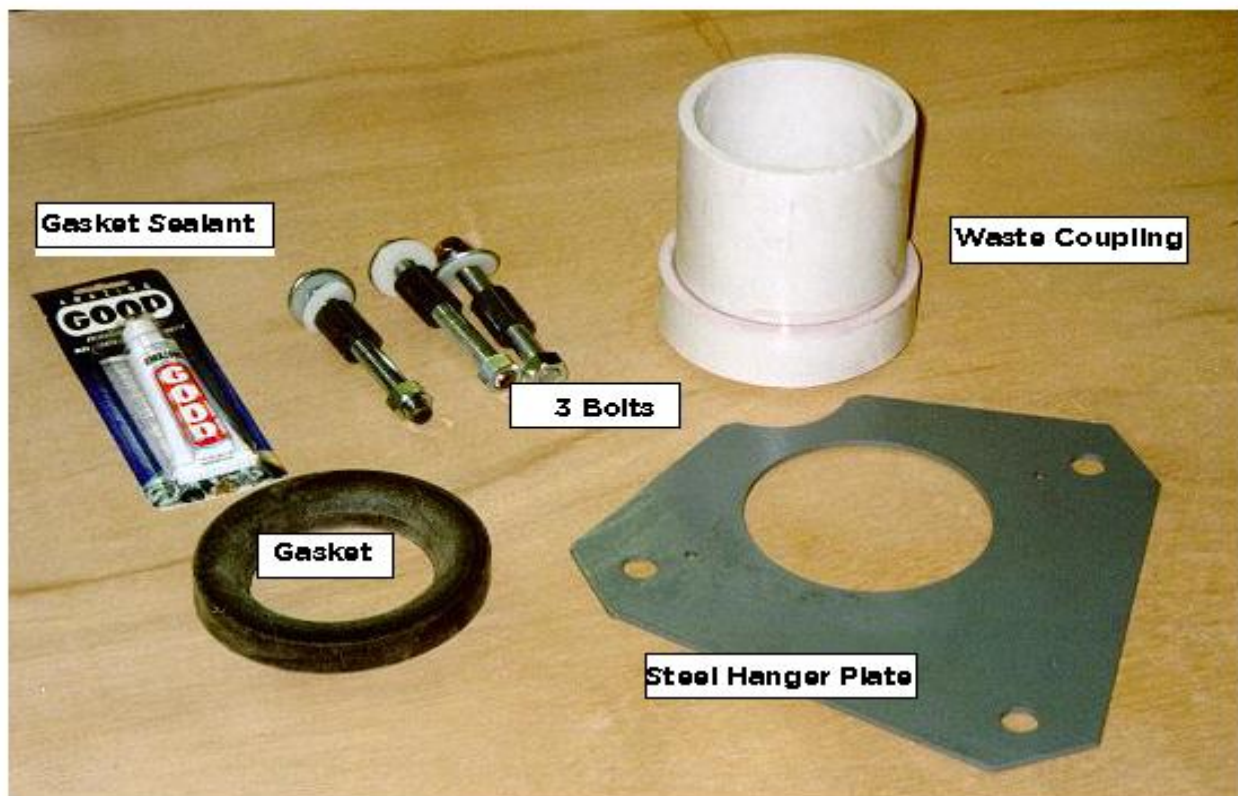
ZURN INDUSTRIES, INC. ♦ COMMERCIAL BRASS OPERATION ♦ 5900 ELWIN BUCHANAN DRIVE ♦ SANFORD NC 27330
Phone: 1-800-997-3876 ♦ Fax: 919-775-3541 ♦ World Wide Web: www.zurn.com
In Canada: ZURN INDUSTRIES LIMITED ♦ 3544 Nashua Drive ♦ Mississauga, Ontario L4V1L2 ♦ Phone: 905-405-8272 Fax: 905-405-1292

AquaVantage® is a registered trademark of Zurn Industries, Inc.

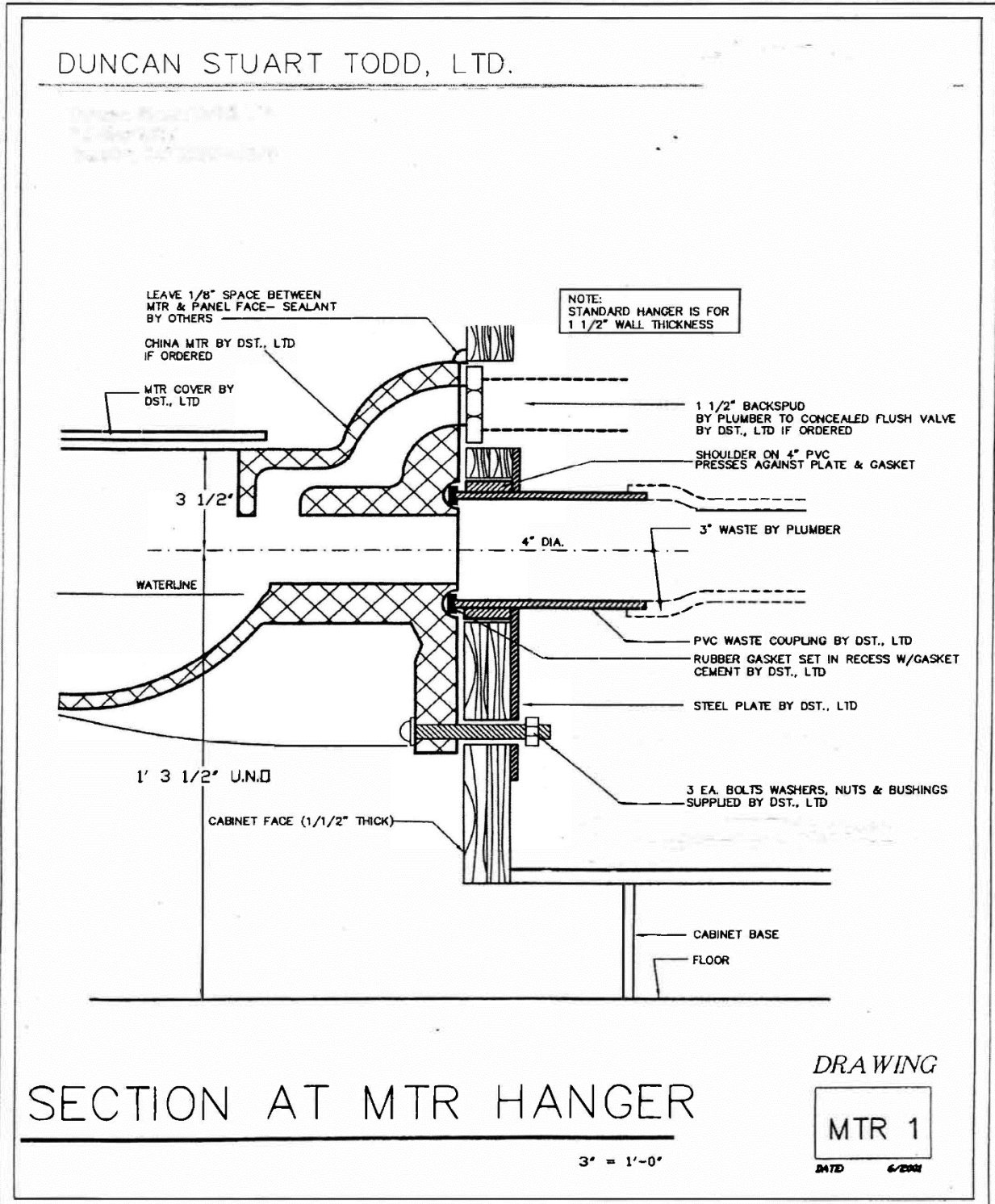
Rev. C
Dwg. No. 65400

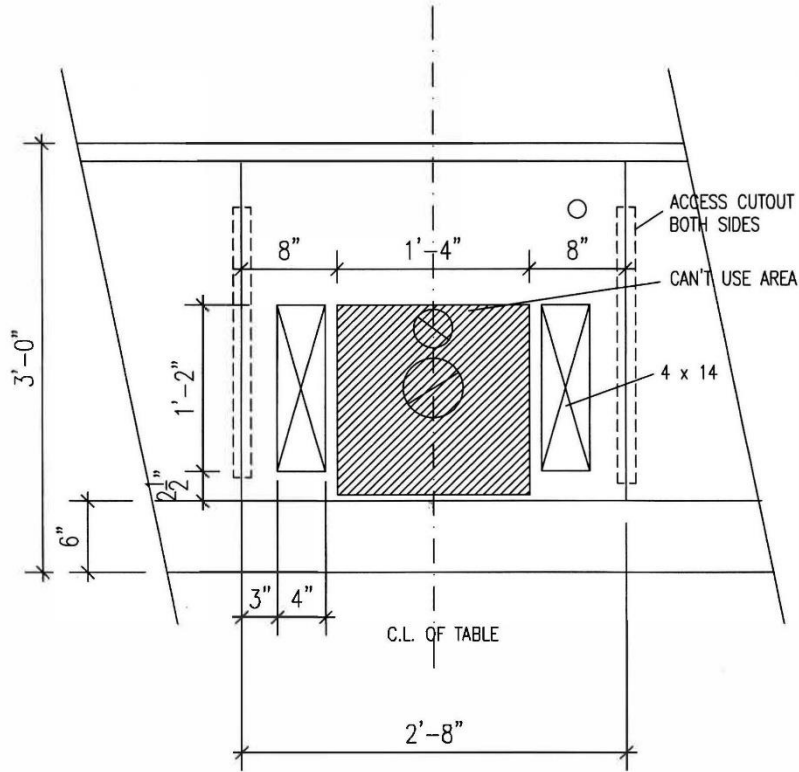
Date: 5/18/03
Product No. ZH6152AV

DST CHINA MTR HANGER KIT



YOUR CHINA MORGUE TABLE RECEPTOR IS PROVIDED WITH A HANGER KIT COMPRISED OF A STEEL HANGER PLATE, WASTE LINE COUPLING, GASKET, GASKET SEALANT AND BOLT ASSEMBLIES, AS SHOWN ABOVE. COMPLETE INSTRUCTIONS ARE ALSO PROVIDED.





12/12

CHINA MTR CABINET 40/30/30 GRILL CUTOUTS

DUNCAN STUART TODD, LTD.

NTS

