

## TECHNICAL INFORMATION

### PREP ARM LEV 2

DST 111 (single), DST 112 (double)

PrepArm LEV 2 is a product for localized exhaust ventilation in the preparation room. It is engineered for precise “spot extraction” with variable air volume control. The arm is designed with state-of-the-art multi-joint maneuverability that allows the embalmer nearly unlimited positioning.

## FEATURES

Specifically designed for localized exhaust ventilation (LEV)

Prevents noxious vapors from entering the general airstream of the embalming room and the practitioner’s respiratory system.

Transparent hood with low optical distortion that can be tilted in all directions

LED lighting mounted in hood enhances visibility

Low noise level keeps work environment disruption free

Folds away when not in use

## SPECIFICATIONS

Swivels through full 360° range

Constructed from anodized aluminum tubes with polypropylene joints

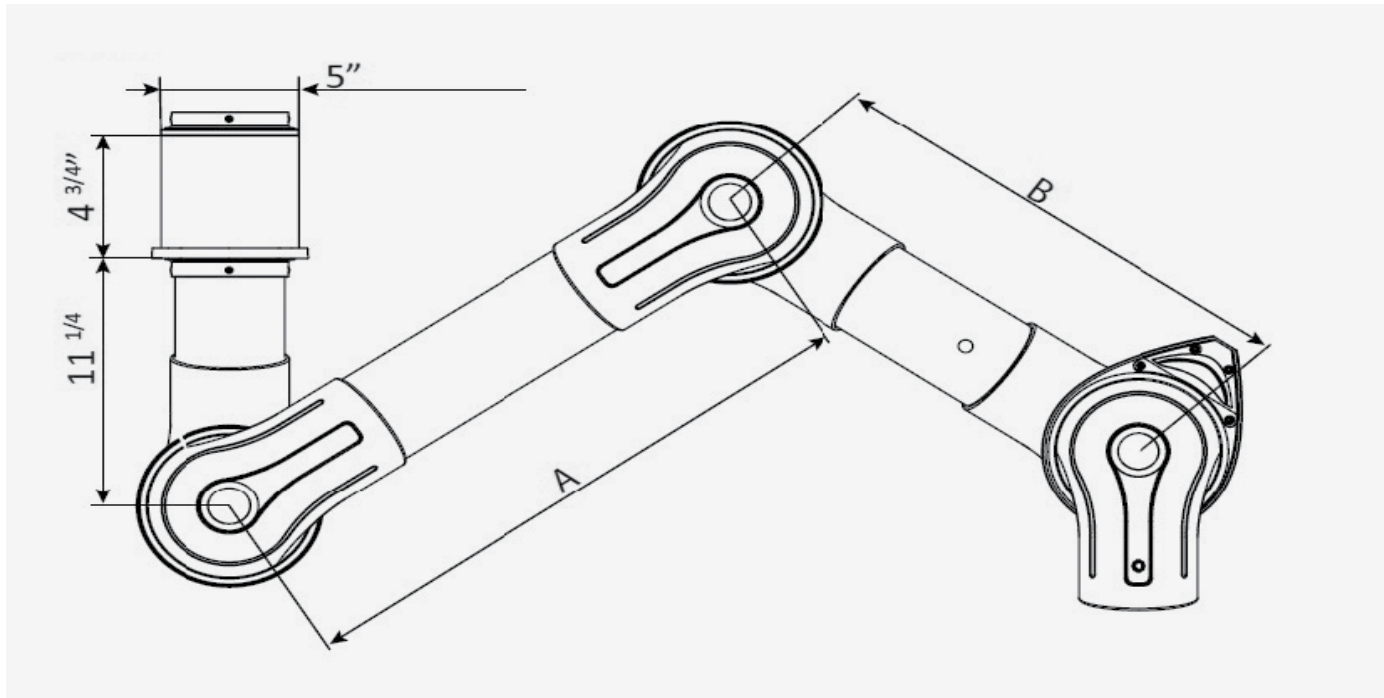
Extractor moves easily with assistance from pulling gas spring

Variable mounting bracket lengths accommodate most ceiling heights

## PREPARM LEV 2 DST 111, DST 112

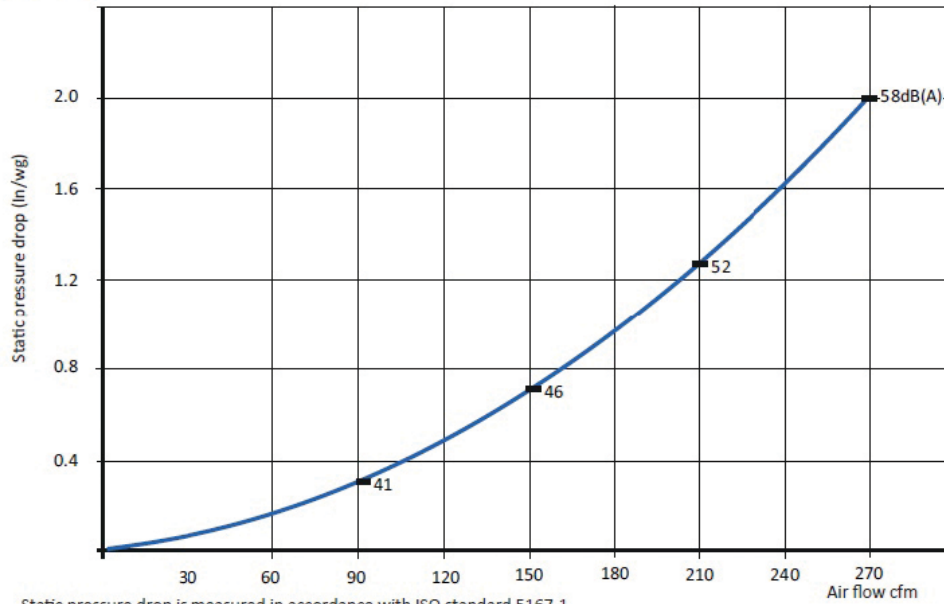
### PREPARM LEV 2 DIMENSIONAL DATA

Diameter (inches)	Mounting Type	A (inches)	B (inches)	Length (inches)	Weight (lbs.)
4	Ceiling	30	22	66	13



## PREP ARM LEV 2 SOUND AND PRESSURE DROP DATA

### Pressure drop



Static pressure drop is measured in accordance with ISO standard 5167-1.  
 Noise level is measured in accordance with ISO standard 3743.  
 Indicated sound level refers to sound pressure level.

Recommended Airflow (CFM)	Ø 4"	120 - 180
---------------------------	------	-----------