

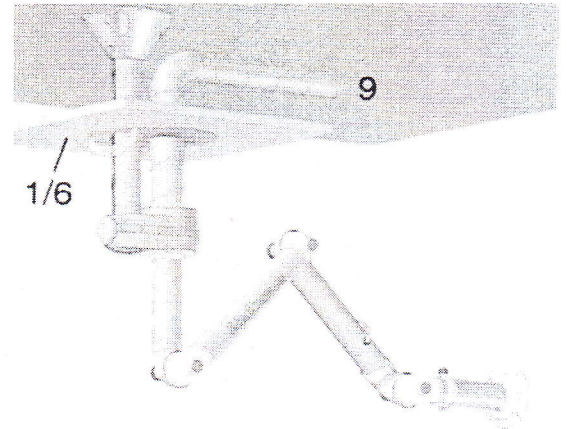
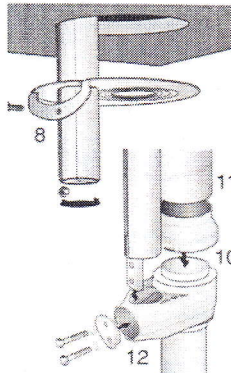
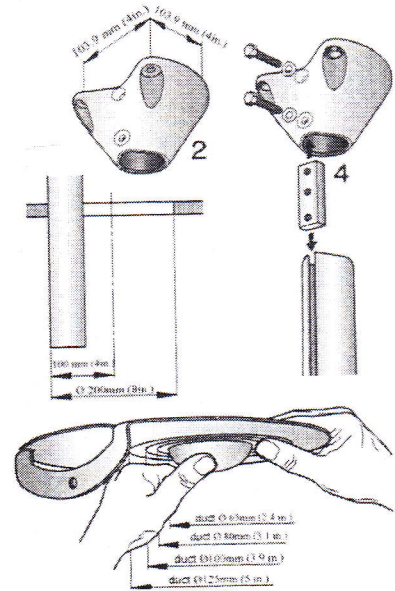
INSTALLATION INSTRUCTIONS

PrepArm Cover Plate Mounting Instructions

DST 106, 107

Ceiling cover plate for mounting the PrepArm through an inner ceiling.

1. Remove a required number of inner ceiling plates.
2. Fasten the bracket against the upper ceiling. Ensure that the surface on which to mount the bracket is level and use the bracket to mark the holes. Use vibration secured fixing bolts and nuts suitable for the ceiling material. The bolts must each stand a torque force of minimum 1,650 lbs.
3. If necessary, cut the extension arm to a suitable length.
4. Fit the extension arm to the bracket.
5. Make a hole in the affected inner ceiling plate. Hole diameter: 8 in. (200mm). The ceiling plate must not be divided.
6. Refit the lower ceiling plate.
7. Choose a stamped disc on the ceiling cover plate suiting the ventilation duct. Fold it to and fro until it comes loose. Support the discs that are not required to be removed.
8. Fasten the ceiling cover plate. Press it against the inner ceiling.
9. Mount a suitable ventilation duct.
10. Fit a connector to the swivel.
11. Connect the ventilation duct to the swivel.
12. Mount the Arm.



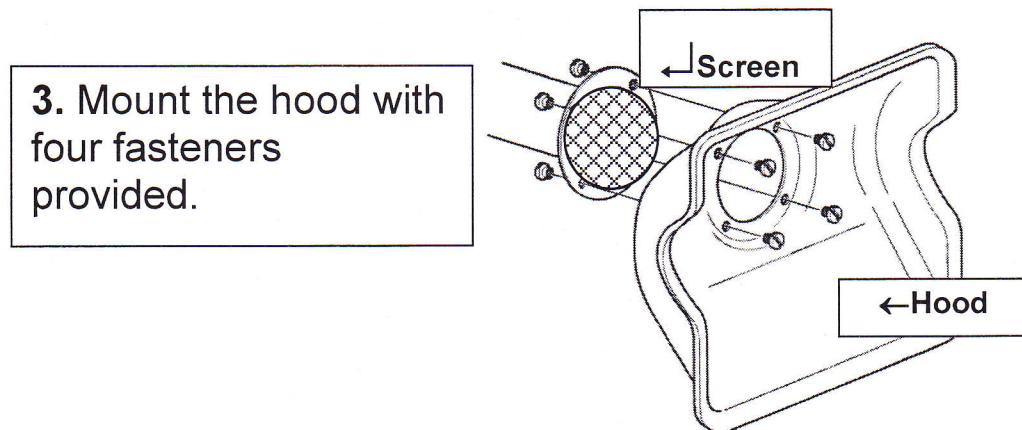
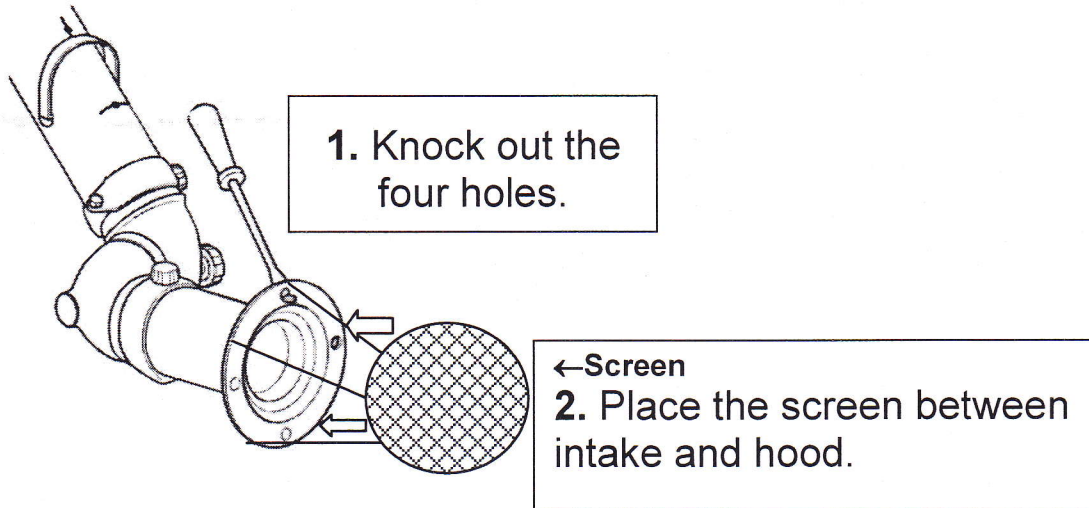
PAGE 2 OF 5

©2011 and 2010 DST, Ltd. Rev. 9-11

INSTALLATION INSTRUCTIONS

PrepArm Hood Mounting Instructions

DST 106, 107



PAGE 3 OF 5

©2011 and 2010 DST, Ltd. Rev. 9-11

DUNCAN STUART TODD
THE PREPARATION ROOM SPECIALISTS

877.832.6898 fax 877.507.5560

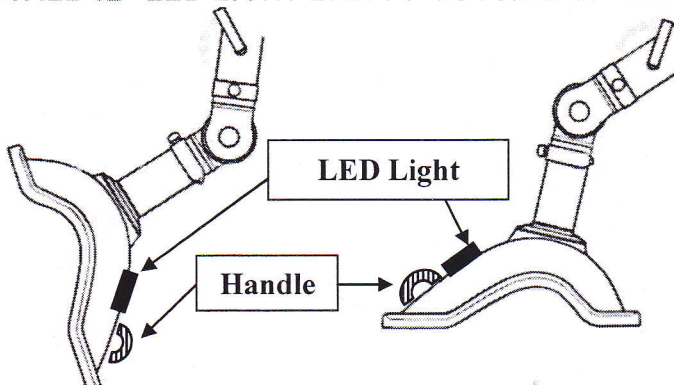
info@DuncanStuartTodd.com www.DuncanStuartTodd.com

INSTALLATION INSTRUCTIONS

PrepArm LED Light Strip Mounting

DST 106, 107

INSTALL 12" LED LIGHT BAR TO OUTSIDE OF CLEAR HOOD

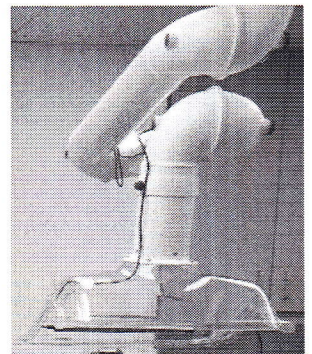


1. Remove LED light bar from its shipping box.
2. The LED light bar will have both sides of three (3) Velcro strips pre-attached.
3. Remove the protective tape from the Velcro strips.
4. Locate LED light bar in desired position on the outside of the hood and press down against hood until Velcro sticky tabs adhere to hood.
5. You can now take the LED light bar on and off of hood using the Velcro attachments.

INSTALL LED LIGHT EXTENSION CABLE TRANSFORMER & CORD CLIPS

Your product comes with a transformer, an additional 6' extension cord and a package of stick-on cord clips.

1. With the LED light strip attached to the hood, plug the 6' black extension cable into the LED light strip.
2. Run the cord up the outside of the tube of the arm, placing a stick-on cord clip about every 12". Leave a little slack in the cord at the joints of the arm to allow for movement.
3. Where the extension cable ends, plug in the cable of the transformer unit. Continue to run the cable and apply clips as in above step.
4. It is intended that the black box transformer itself is placed above the ceiling and plugged into an outlet above the ceiling. See page 1 of 5 for typical ceiling installation.



PAGE 4 OF 5

©2011 and 2010 DST, Ltd. Rev. 9-11

DUNCAN STUART TODD
THE PREPARATION ROOM SPECIALISTS

877.832.6898

fax 877.507.5560

info@DuncanStuartTodd.com

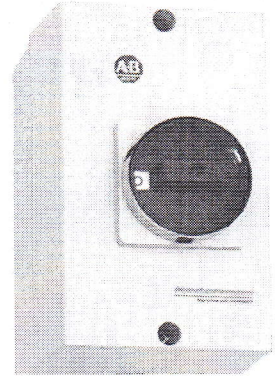
www.DuncanStuartTodd.com

INSTALLATION INSTRUCTIONS

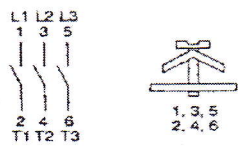
PrepArm Fan Manual Starter

DST 106, 107

PrepArm Exhaust Fan
115/208-230v 1ph
13.8 amps full load
30 amps on start-up



- WARNING!** Only a competent electrician should install the Fan Starter.
- WARNING!** To prevent electrical shock, disconnect from power source before installing and servicing.
- WARNING!** During any work on the installation, the main switch must be switched off and locked.
- WARNING!** If start signal is activated, the fan will automatically start after a voltage drop out.



- 1 x 1...4 mm²
- 2 x 1...4 mm²
- No. 16...12 AWG
- 1 x 1...6 mm²
- 2 x 1...6 mm²
- No. 16...10 AWG
- 9 mm
- 1 x 1.5...4 mm²
- 2 x 1.5...4 mm²
- No. 16...10AWG
- Use 75°C Cu wire only

- 1.0...2.5 Nm
- 8.9...22 lb-in
- No. 3
- Pozidriv No. 2

