

# TECHNICAL INFORMATION

## Overhead Body and Table Wash System

### DST 433

The Overhead Body and Table Wash System is a convenient fixture for the cleaning and rinsing process during embalming.

The system consists of a reel rinse, vacuum breaker and a thermostatic mixing valve. The components are assembled on site by a licensed master plumber according to applicable codes.

### FEATURES AND SPECIFICATIONS

#### OVERHEAD REEL RINSE

- ceiling or wall mounted covered reel with 30-ft hose
- stainless steel covered reel base with ratchet
- furnished with 30 feet of 3/8" ID hose, rated at 200 PSI, 140° F water temperature

#### THERMOSTATIC MIXING VALVE

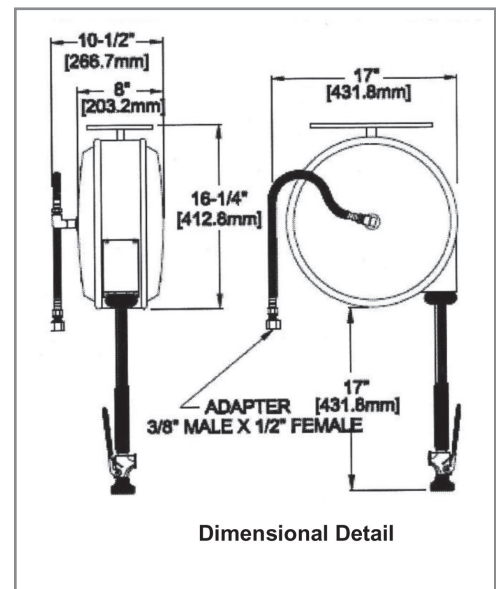
- maintains desired mixed water temperature at point-of-use
- includes two check stop valves

#### VACUUM BREAKER

- protects the potable water supply against backflow from a non-potable source due to negative pressure, furnished with two check stop valves
- spring loaded vent for continuous pressure use
- meets American Society of Sanitary Engineering code 1001

### INSTALLATION

- follow all manufacturer's installation instructions
- inlets and outlets are 1/2" FNPT



©2010 and 2007 DST, Ltd. Rev. 8-10